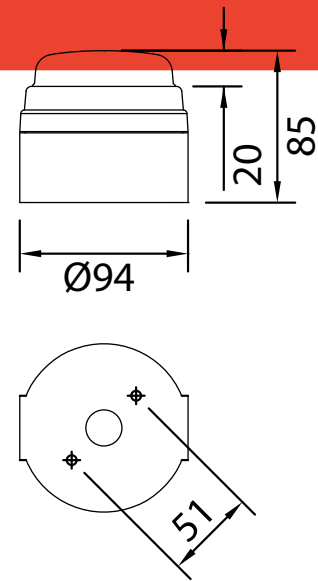


LED Status Indicator

IPC/010 - Cross



IPC/010 - Pulsed (Flashing) LED Red Cross Indicator with internal jumper to select Static (Continuous) option.

Extensively configurable, comprising a robust White (standard) or Red (option) ABS Base, and a Clear Polycarbonate lens with Red LEDs. Multiple units can be joined together, including the matching IAS-C Sounder, to provide an integrated signalling system.

Circuitry is fixed to the lens assembly, with convenient access to the terminal block for wiring, allowing easy fitting of bases and wiring during installation, and safe storage of the electronics and lenses for phase 2 fitting.

Lenses are fitted to the bases by bayonet fitting with an O-ring seal, secured by a single securing grub screw. There are no other external fixings, and all connections between enclosure parts are protected by O-rings.

	IPC/DC/24/LED/010/Red	IPC/UC/115-230/LED/010/Red
Supply Voltage	24Vdc	115-230Vuc (ac or dc)
Minimum Supply Voltage	20Vdc	97Vuc
Maximum Supply Voltage	27Vdc	265Vuc
Average Current Draw (Static / Pulsed)	69mA / 37mA	29-44mA / 18-29mA
Peak Operating Current	93mA	219mA
Nominal power consumption (Static / Pulsed)	1.7W / 0.9W	2.9W / 1.6W
Flash Rate	120fpm 2Hz with Static (0Hz) option	
Luminous Intensity Red	10Cd	
Angle of max rated brilliance	On axis with front face	
Recommended fuse rating	Internal - 500mA TD	
IEC protection class	IP65	
Operating Temperature Range	-20 to +45 Degrees C	
Net Product Weight	161g	173g