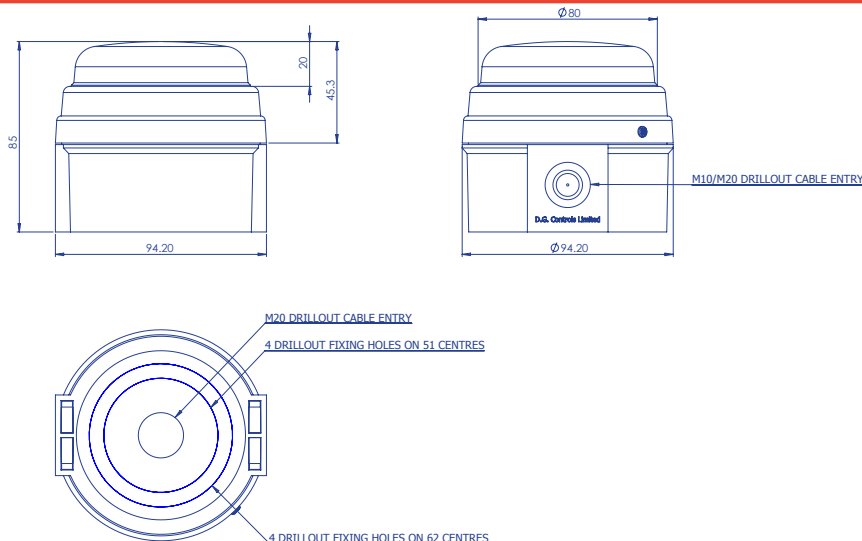




LED Beacons Series C - Dual Colour



Low-power LED Dual-Colour Red/Green Pulsed/Static beacon.

2-way DIP Switch allows independent Pulsed (2Hz Flashing) / Static (Non-flashing) mode selection for each colour.

Connection/control is by way of 3-way power terminals; common positive with separate negative connections for Red and Green channels. If both Red and Green are connected, the Red channel takes priority.

Extensively configurable, comprising a robust White (standard) or Red (option) ABS Base, and a Polycarbonate lens. Multiple units can be joined together, including the matching IAS-C Sounder, to provide an integrated signalling system.

PSC/DC/24/LED/Red/Green	
Supply Voltage	24Vdc
Minimum Supply Voltage	20Vdc
Maximum Supply Voltage	27.6Vdc
Average Current Draw - Static	100mA (Red) / 80mA (Green)
Average Current Draw - Pulsed	50mA (Red) / 42mA (Green)
Peak Operating Current	140mA @ 27.6Vdc (Red Pulsed Mode)
Nominal power consumption	< 4W
Flash Rate	120fpm 2Hz with Static (0Hz) option
Luminous Intensity	Red 13Cd
	Green 13Cd
Angle of max rated brilliance	On axis with front face
Recommended fuse rating	External - 500mA TD
IEC protection class	IP65
Operating Temperature Range	-20 to +45 Degrees C
Net Product Weight	158g