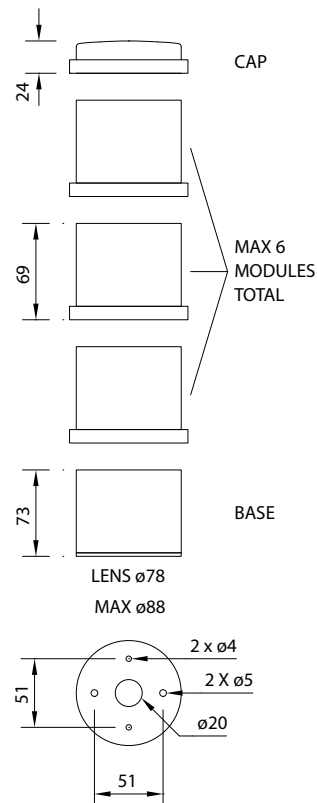




Stacking Beacons BCSA & ASA Modules



Ideally suited to internal or external multi-status signalling applications, and commonly used on machinery as a visual alarm to draw attention to warning messages and fault conditions, helping minimise unnecessary periods of non-productivity.

This range of modular stacking (click-together) beacon lamps builds from a common base/terminal module and offers a choice of visual indicator modules including: Electronic Sounders, Multi-function LED (Rotating, Pulsed and Static), Dual-function LED (Pulsed and Static) and Xenon Strobe.

All polycarbonate construction with Base and Cap. Lenses are available in the full range of colours - Red, Amber, Green, Blue, Yellow, Purple and Clear.

ASA Sounder Module

	ASA/DC/12-24/PT	ASA/UC/115-230/PT
Supply Voltage	12-24Vdc	115-230Vuc
Minimum Supply Voltage	10.2Vdc	97Vuc
Maximum Supply Voltage	27.6Vdc	265Vuc
Average Current Draw (Continuous Tone)	4mA@12Vdc, 30mA@24Vdc	33mA @ 115Vac, 68mA@230Vac
Peak Operating Current	31mA@24Vdc	111mA@230Vac
Nominal power consumption	< 1W	< 3W
Maximum Sound Pressure Level @ 1m	85 dB(A) @ 12Vdc, 90dB(A) @ 24Vdc, 115Vas & 230Vac	
Number of Tones	4 - (Continuous / Pulsed / Fast-Pulse / Five-Piulse)	
Fundamental Frequency	2.9KHz	
Recommended fuse rating	external - 500mA TD	
IEC protection class	IP54	
Operating Temperature Range	-20 to +55 Degrees C	

General

Automotive

Obstruction

Audible

Telephone

Accessories



Stacking Beacons PSA/LED & XSA Modules

General

Automotive

Obstruction

Audible

Telephone

Accessories

PSA/LED Multi-function LED Module

	PSA/DC/12/LED	PSA/UC/24-230/LED
Supply Voltage	12Vdc	24V-230Vuc (ac or dc)
Minimum Supply Voltage	10.2Vdc	21.6Vuc
Maximum Supply Voltage	13.8Vdc	265Vuc
Average Current Draw	110mA@12Vdc	139mA@24Vdc, 44mA@115Vac, 22mA@230Vac
Peak Operating Current	250mA@13.8Vdc	279mA@24Vdc, 249mA@115Vac, 02mA@230Vac
Nominal power consumption	1.27W	2.0 - 2.5W
Factory-set Flash Rate	120fpm 2Hz	
Number of functions / patterns	8	
Luminous Intensity	Red	7Cd
	Amber	6Cd
	Green	16Cd
	Blue	5Cd
	Clear	20Cd
	Yellow	19Cd
Angle of max rated brilliance	0 Degrees vertical	
Recommended fuse rating	external - 500mA TD	
IEC protection class	IP65	
Operating Temperature Range	-20 to +55 Degrees C	
Net Product Weight	136g	149g

XSA Xenon Strobe Module

	XSA/DC/12-24/SH/2.5J	XSA/AC/115/SH/2.5J	XSA/AC/230/SH/2.5J
Supply Voltage	12-24Vdc	115Vac	230Vac
Minimum Supply Voltage	10.2Vdc	97Vuc	195Vac
Maximum Supply Voltage	27.6Vdc	132Vac	264Vac
Average Current Draw	163mA	68mA	34mA
Peak Operating Current	482mA	4.4A	4A
Nominal power consumption	3.9W	3.0W	3.2W
Flash Rate	60fpm 1Hz		
Luminous Intensity	Red	3cd	3cd
(Schmidt-Clausen	Amber	13cd	13cd
Day)	Green	7cd	7cd
	Blue	6cd	6cd
	Clear	27cd	27cd
Angle of max rated brilliance	0 Degrees Vertical		
Recommended fuse rating	External - T500mA		
IEC protection class	IP65		
Operating Temperature Range	-20 to +55 Degrees C		
Net Product Weight	144g	138g	141g

Stacking Beacons

PSA/SSA SML Modules

PSA Dual Function & SSA Static LED Modules

	PSA/DC/12-36/SML & SSA/DC/12-36/SML	PSA/UC/115-230/SML & SSA/UC/115-230/SML
Supply Voltage	12-36Vdc	115-230Vuc
Minimum Supply Voltage	10.2Vdc	97Vuc
Maximum Supply Voltage	40Vdc	265Vuc
Average Current Draw (Pulsed)	132mA@12Vdc, 86mA@24Vdc, 84mA @36Vdc	32mA@115Vac, 19mA@230Vac
Peak Operating Current	764mA@12Vdc	242mA@97Vac
Nominal power consumption (Pulsed)	1.6@12Vdc, 2.1@24Vdc, 3W@36Vdc	1.6W
Factory-set Flash Rate (Not SSA)	120fpm (2Hz)	
Number of functions / patterns	2 - Static / Pulsed	
Luminous Intensity	Red	4Cd
	Amber	16Cd
	Green	8Cd
	Blue	4Cd
	Clear	25Cd
	Yellow	22Cd
	Purple	4Cd
Angle of max rated brilliance	0 Degrees vertical	
Recommended fuse rating	external - 500mA TD	
IEC protection class	IP65	
Operating Temperature Range	-20 to +55 Degrees C	
Net Product Weight	128g	