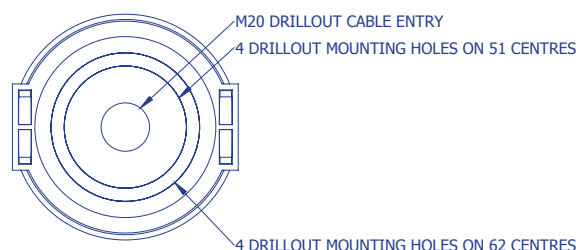
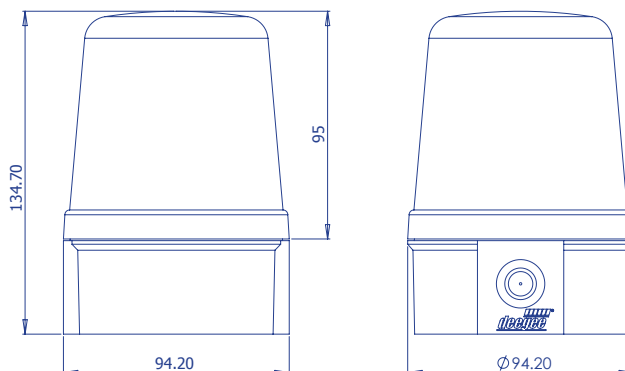




# LED Beacons Series B/LED



Series B is an IP66 rated enclosure, pre-moulded with drill-outs for M10 and M20 cable gland entries. The lens fits with a specially designed O-ring and tightens on a bayonet-style fitting, securing with an anti-tamper screw into a blind hole.

Operating mode is easily configured at installation with a choice of:

- Static
- Slow Pulse
- Triple Flash
- Strobe - 1 pulse per second (1Hz)

- Standard Pulse
- Fast Pulse
- Random Flash
- Revolving (Simulated Rotating).

	PSB/DC/12/LED	PSB/UC/24-230/LED
Supply Voltage	12Vdc	24V-230Vuc (ac or dc)
Minimum Supply Voltage	10.2Vdc	21.6Vuc
Maximum Supply Voltage	13.8Vdc	265Vuc
Average Current Draw	110mA@12Vdc	139mA@24Vdc, 44mA@115Vac, 22mA@230Vac
Peak Operating Current	250mA@13.8Vdc	279mA@24Vdc, 249mA@115Vac, 02mA@230Vac
Nominal power consumption	1.27W	2.0 - 2.5W
Factory-set Flash Rate	120fpm 2Hz	
Number of functions / patterns	8	
Luminous Intensity	Red	7Cd
	Amber	6Cd
	Green	16Cd
	Blue	5Cd
	Clear	20Cd
	Yellow	19Cd
Angle of max rated brilliance	0 Degrees vertical	
Recommended fuse rating	external - 500mA TD	
IEC protection class	IP65	
Operating Temperature Range	-20 to +55 Degrees C	
Net Product Weight	g	g

General

Automotive

Obstruction

Audible

Telephone

Accessories