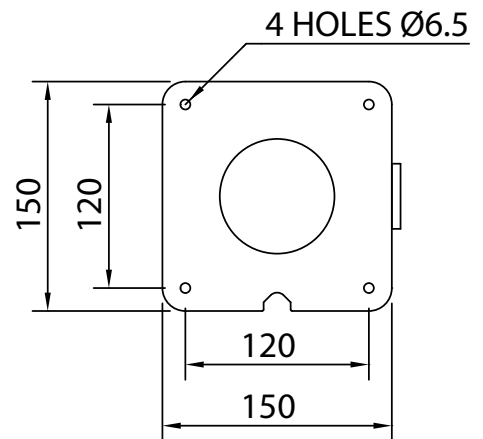
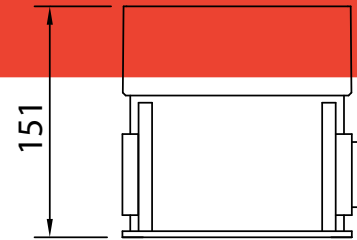


# LED Beacons Series PSU



Pulsed LED uni-directional Status Indicators. Extensively configurable, comprising a robust black polycarbonate base and hood with plain clear polycarbonate lens. Selectable static or flashing operation via internal jumper.

Clear-package LEDs and clear lens eliminates the problem of the indicator appearing to be "ON" when struck by direct sunlight.

Multiple units from the Series T, Series U, Series V and Series W ranges can be joined together, including the matching IAS-T Sounder and ISB-T Sounder Beacon, to provide an integrated signalling system.

Hood assembly is fitted to the base using a gasket and three screws. Mounting to panels, walls or brackets is by four external mounting holes.

A compression cable gland and anti-condensation breather is supplied.

		PSU/DC/18-40/LED	PSU/UC/115-230/LED
Supply Voltage		24V - 36V dc	115V - 230V ac/dc
Minimum Supply Voltage		18Vdc	98V ac/dc
Maximum Supply Voltage		40Vdc	264V ac/dc
Average Current Draw	Static	217mA @ 24Vdc	43mA @ 230Vac
	Pulsed	111mA @ 24Vdc	30mA @ 230Vac
Peak Operating Current		221mA @ 24Vdc	320mA @ 98VacmA
Flash Rate		40fpm or Static	
Luminous Intensity/	Red	200 cd	
Beam Angle	Amber	290 cd	
	Green	450 cd	
	Blue	335 cd	
	Clear	965 cd	
Angle of max rated brilliance		On axis with front face	
Recommended fuse rating		T1A	T1A
IEC protection class		IP65	
Operating Temperature Range		-20 to +55 Degrees C	
Net Product Weight		713g	730g