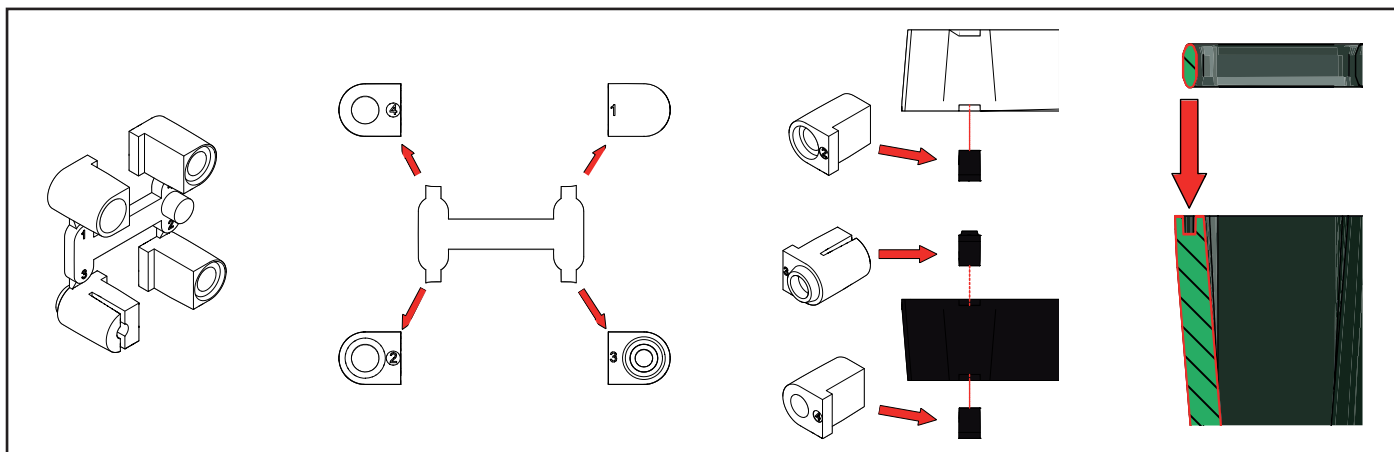
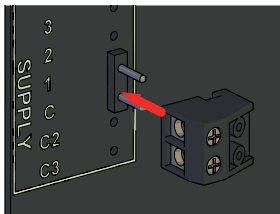
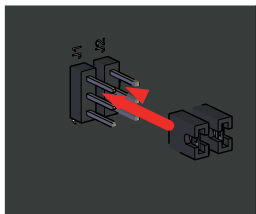


IPN/025 "BRAND" Indicator Panel

IPN/UC/24/	IPN/AC/115/	IPN/AC/230/		
+ve (24Vac/dc)	P (98-132Vac)	P (196-264Vac)	RED "FIRE"	1
-ve (0V)	N	N		C



J1	J2	FUNCTION	BRIGHTNESS
0	0	FLASHING	100%
1	0	STATIC	100%
0	1	FLASHING	25%
1	1	STATIC	25%

