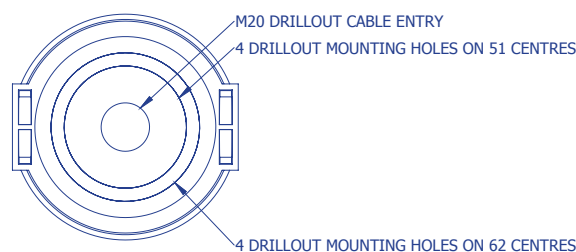
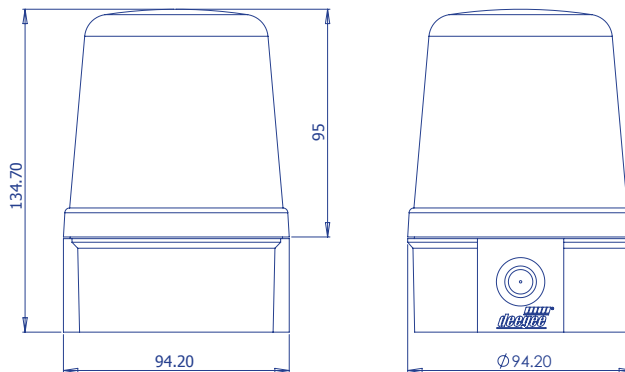




LED Beacons

Series B - Tri-Colour



Single Pulsed LED beacon fitted with Red, Amber and Green LEDs providing an innovative multi-status signal in a single, compact device. 24Vdc and 115-230Vuc (universal) models are available, each with 3 pulsed and 1 static user-selectable modes of operation. The installer is able to select the beacon flashing mode (Single, Triple and Quintuple flash) and designate which colour(s) are either flashing or static.

Series B is an IP66 rated enclosure, pre-moulded with drill-outs for M10 and M20 cable gland entries. The lens fits with a specially designed O-ring and tightens on a bayonet-style fitting, securing with an anti-tamper screw into a blind hole.

Carefully designed to minimise dust and dirt build-up, and fully water-tight, Series B is perfectly suited to the outdoor environment, and with long-life LEDs, makes maintenance a thing of the past.

		PSB/DC/24/LED/RAG	PSB/UC/115-230/LED/RAG
Supply Voltage		24Vdc	115-230Vuc
Minimum Supply Voltage		20.4Vdc	97Vuc
Maximum Supply Voltage		27.6Vdc	265Vuc
Average Current Draw	Red	143 / 101 / 75 / 75 mA	54 / 36 / 29 / 27 mA
(Static/Single/	Amber	137 / 96 / 75 / 68 mA	47 / 33 / 25 / 24 mA@230Vac
Triple/Quintuple)	Green	154 / 106 / 82 / 79 mA	54 / 37 / 28 / 27 mA@230Vac
Peak Operating Current		218mA	359 mA
Nominal power consumption		< 3.8 W	< .8 W
Flash Rate	Factory Set	120fpm 2Hz	
	Other	0 fps - Static / 6 fps - TH / 5 fps - QH	
Luminous Intensity	Red	13 Cd	
	Amber	22 Cd	
	Green	23 Cd	
Angle of max rated brilliance		Horizontal	
Recommended fuse rating		external - 500mA TD	
IEC protection class		IP66	
Operating Temperature Range		-20 to +55 Degrees C	
Net Product Weight		230g	258g