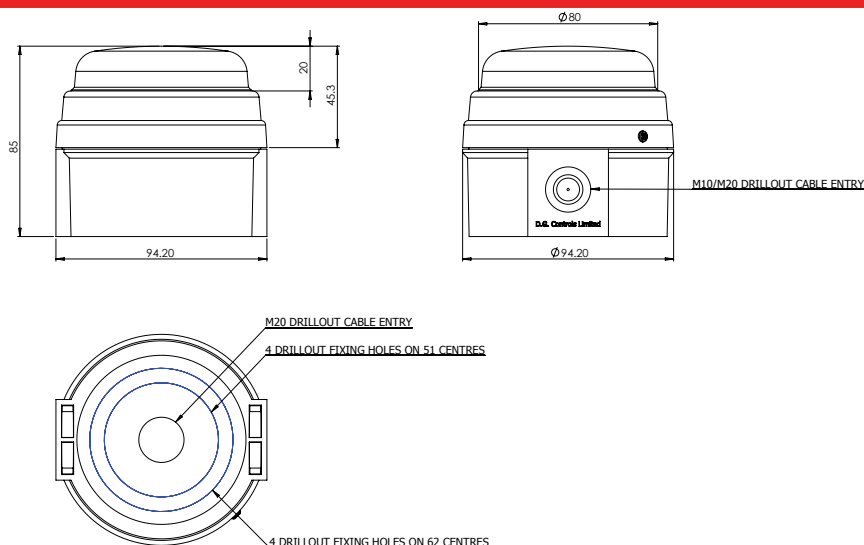


Filament Beacons Series C



Static (Continuous) Filament Lamp warning beacons.

Standard unit supplied with 10W B15d (SBC) lamp. Optionally available without lamp.

Extensively configurable, comprising a robust White (standard) or Red (option) ABS Base, and a Polycarbonate lens. Multiple units from both the Series B and Series C ranges can be joined together, including the matching IAS-C Sounder, to provide an integrated signalling system.

Lenses are fitted to the bases by bayonet fitting with an O-ring seal, secured by a single securing grub screw. There are no other external fixings, and all connections between enclosure parts are protected by O-rings.

	SBC/UC/12/B15D	SBC/UC/24/B15D	SBC/UC/48/B15D	SBC/UC/115/B15D	SBC/UC/230/B15D
Supply Voltage	12Vuc (ac or dc)	24Vuc (ac or dc)	48Vuc (ac or dc)	115Vuc (ac or dc)	230Vuc (ac or dc)
Minimum Supply Voltage	10.2Vdc	20.4Vuc	40.8Vuc	97.7Vdc	195.5Vuc
Maximum Supply Voltage	13.8Vdc	27.6Vuc	55.2Vuc	132Vdc	264.5Vuc
Average Current Draw	833mA	417mA	208mA	87mA	43mA
Peak Operating Current	N/A				
Nominal power consumption	10W				
Flash Rate	Non-flashing (Continuous) light source				
Luminous Intensity	Red	3Cd			
	Amber	8Cd			
	Green	4Cd			
	Blue	0.7Cd			
	Clear	10Cd			
Angle of max rated brilliance	On axis with front face				
Recommended fuse rating	External - 1A TD	External - 500mA TD	External - 500mA TD	External - 500mA TD	External - 500mA TD
IEC protection class	IP65				
Operating Temperature Range	-20 to +55 Degrees C				
Net Product Weight	183g				