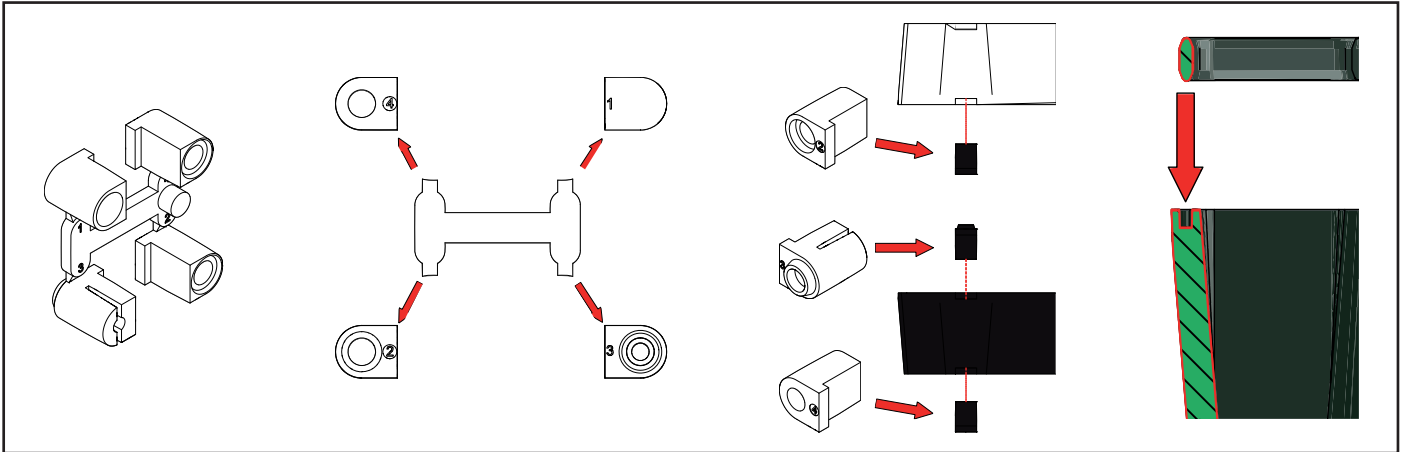
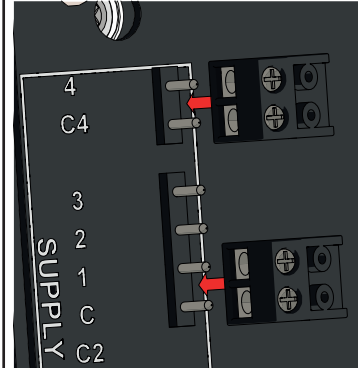
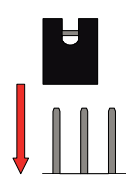


IPN/025 "BRAND" Indicator Panel

IPN/UC/24/	IPN/AC/115/	IPN/AC/230/		
+ve (24Vac/dc)	P (98-132Vac)	P (196-264Vac)	Connect to select reduced intensity	4
-ve (0V)	N	N		C4
+ve (24Vac/dc)	P (98-132Vac)	P (196-264Vac)	"BRAND"	1
-ve (0V)	N	N		C

J1 & J2



Reduced intensity level

J1	J2	Intensity
0	0	50%
1	0	25%
0	1	10%
1	1	50%

