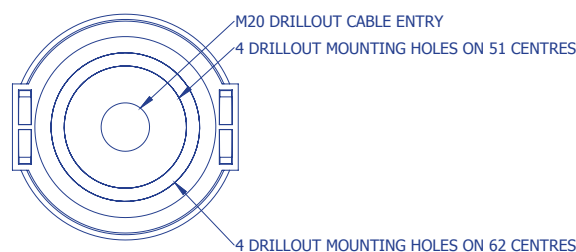
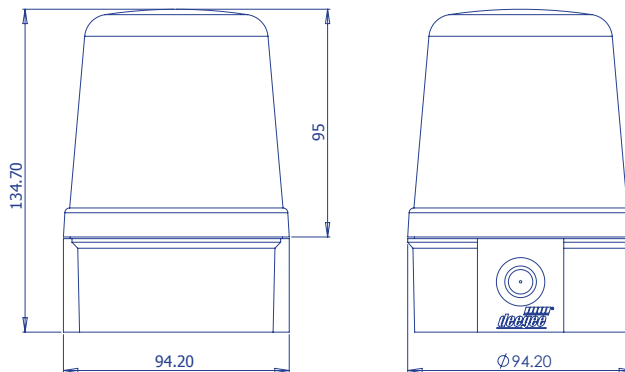




LED Beacons

Series B - Tri-Colour



Single Pulsed LED beacon fitted with Red, Amber and Green LEDs providing an innovative multi-status signal in a single, compact device. 24Vdc and 115-230Vuc (universal) models are available, each with 3 pulsed and 1 static user-selectable modes of operation. The installer is able to select the beacon flashing mode (Single, Triple and Quintuple flash) and designate which colour(s) are either flashing or static.

Series B is an IP66 rated enclosure, pre-moulded with drill-outs for M10 and M20 cable gland entries. The lens fits with a specially designed O-ring and tightens on a bayonet-style fitting, securing with an anti-tamper screw into a blind hole.

Carefully designed to minimise dust and dirt build-up, and fully water-tight, Series B is perfectly suited to the outdoor environment, and with long-life LEDs, makes maintenance a thing of the past.

	PSB/DC/24/LED/RAG	PSB/UC/115-230/LED/RAG
Supply Voltage	24Vdc	115-230Vuc
Minimum Supply Voltage	20.4Vdc	97Vuc
Maximum Supply Voltage	27.6Vdc	265Vuc
Average Current Draw	Red 108/56/36/45 mA	44/32/23/23 mA@230Vac
(Static/Single/	Amber 117/60/38/32 mA	46/30/23/23 mA@230Vac
Triple/Quintuple)	Green 116/60/38/43 mA	37/25/18/18 mA@230Vac
Peak Operating Current	144 mA	385 mA
Nominal power consumption	< 3.0 W	< 3.3 W
Flash Rate	Factory Set	120fpm 2Hz
	Other	0 fps - Static / 6 fps - TH / 5 fps - QH
Luminous Intensity	Red	25 Cd
	Amber	20 Cd
	Green	24 Cd
Angle of max rated brilliance		0 Degrees vertical
Recommended fuse rating		external - 500mA TD
IEC protection class		IP66
Operating Temperature Range		-20 to +55 Degrees C
Net Product Weight	248g	279g

General

Automotive

Obstruction

Audible

Explosionproof

Accessories