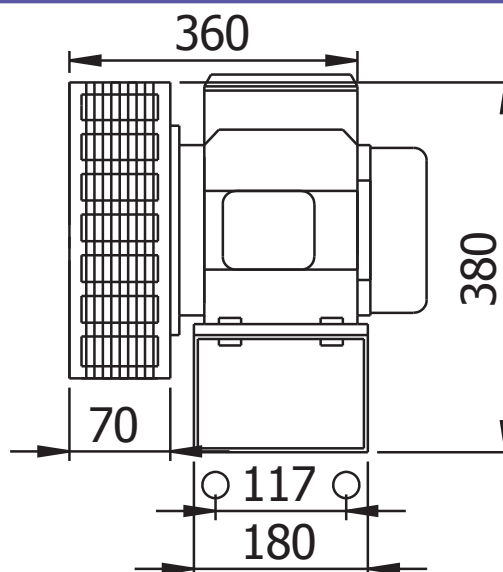
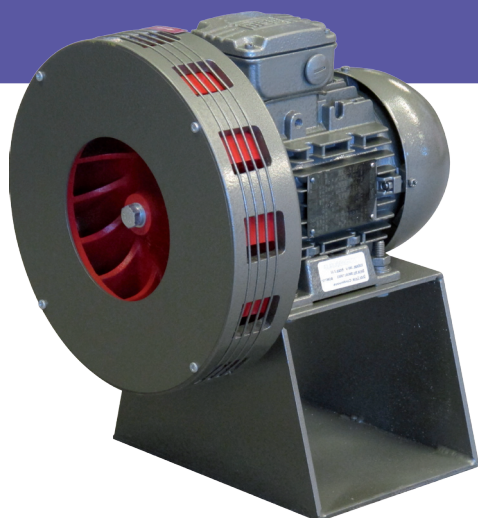


Motor-driven Sirens

MDS-4



Very durable weatherproof motor driven siren manufactured from cast aluminium with high-power low-frequency output.

Ideal for factories, quarries, construction and industrial sites as well as both underground and surface non-flery mines.

230Vac single-phase and 415Vac three-phase models available.

	MDS-4/AC/230	MDS-4/AC/415
Supply Voltage	230Vac 1Ø	415Vac 3Ø
Minimum Supply Voltage	207V	373V
Maximum Supply Voltage	253V	456V
Average Current Draw*	9A	5A
Sound frequency	560Hz	560Hz
Sound output @ 1m	125dB(A)	
Approximate range	3000m in still air on open field	
Duty Cycle	Continuous	
IEC protection class	IP55	
Operating Temperature Range	-10 to +45 Degrees C	
Net Product Weight	22kg	
Mounting	This unit should ideally be mounted in a horizontal position. In environments where dirt or particles may fall onto the moving parts of the siren's impeller, it is recommended to place a protective shield above the unit for protection.	

* Please multiply the current consumption by 6 to allow for start-up current