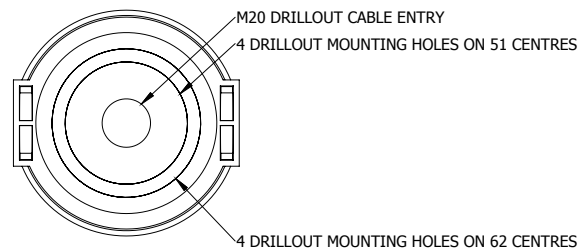
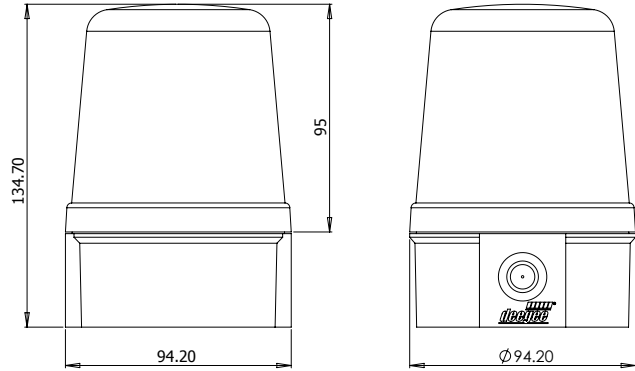


Xenon Strobe Beacons Series B



2.5 joule and 5 joule xenon strobe warning beacons.

Extensively configurable, comprising a robust White (standard) or Red (option) ABS Base, and a Polycarbonate lens. Multiple units from both the Series B and Series C ranges can be joined together, including the matching IAS-C Sounder, to provide an integrated signalling system.

Circuitry is fixed to the base, with convenient access to the terminal block for wiring.

Lenses are fitted to the bases by bayonet fitting with an O-ring seal, secured by a single securing grub screw. There are no other external fixings, and all connections between enclosure parts are protected by O-rings.

		XFB/DC/12-24/SH/2.5J	XFB/AC/115/SH/2.5J	XFB/AC/230/SH/2.5J	XFB/DC/12-24/SH/5J	XFB/AC/115/SH/5J	XFB/AC/230/SH/5J
Supply Voltage		12-24Vdc	115Vac	230Vac	12-24Vdc	115Vac	230Vac
Minimum Supply Voltage		10.2Vdc	97Vuc	195Vac	10.2Vdc	97Vuc	195Vac
Maximum Supply Voltage		27.6Vdc	132Vac	264Vac	27.6Vdc	132Vac	264Vac
Average Current Draw		146mA	70mA	41mA	277mA*	137mA	89mA
Peak Operating Current		452mA	1.4A	354mA	531mA*	3.6A	697mA
Nominal power consumption		3.5W	3.9W	3.8W	3.1-6.6W	7.0W	8.0W
Flash Rate		60fpm 1Hz					
Luminous Intensity	Red	7Cd*	4Cd	4Cd	10Cd*	11Cd	11Cd
(Per EN54-23)	Amber	19Cd*	13Cd	13Cd	26Cd*	32Cd	32Cd
	Green	14Cd*	10Cd	10Cd	19Cd*	24Cd	24Cd
	Blue	8Cd*	5Cd	5Cd	10Cd*	12Cd	12Cd
	Clear	36Cd*	22Cd	22Cd	49Cd*	59Cd	59Cd
Range	Red	4.2m*	3.1m	3.1m	5.0m*	5.2m	5.2m
(Per EN54-23)	Clear	9.3m*	7.4m	7.4m	10.2m*	12.0m	12.0m
Angle of max rated brilliance		0 Degrees Vertical					
Recommended fuse rating		External - 500mA TD					
IEC protection class		IP65					
Operating Temperature Range		-20 to +55 Degrees C					
Net Product Weight		215g	208g	212g	236g	215g	225g