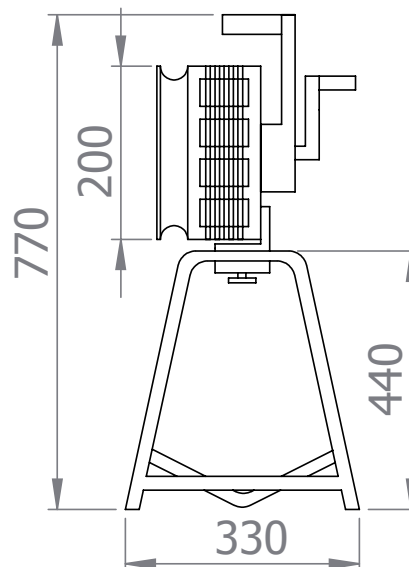




Hand-cranked Sirens HDS-3



Cast aluminium siren designed as a back-up alarm when there is a power failure or for applications where no electricity is available.

Siren sits on mounting fram, steadied with the operator's foot, whilst the drive-handle is being cranked.

Handle on top of the siren can be adjusted to alter the sound as needed.

Simple, maintenance free siren with a sealed gearbox.

HDS-3	
Supply Voltage	Hand-operated - Does not require electrical power
Sound frequency	500Hz
Sound output @ 1m	120dB(A)
Approximate range	2000m in still air on open field
Duty Cycle	Continuous
Operating Temperature Range	-10 to +45 Degrees C
Net Product Weight	12kg
Mounting	<p>The unit is shipped with siren mounted upside down in the frame. Turning the hand nut loose allows you to mount the siren on top of the frame. Tighten the hand nut with siren in position.</p> <p>Holding the handle on top of the siren and with one foot on the bottom of the frame, the crank-handle can be turned to operate the siren.</p>

General

Automotive

Obstruction

Audible

Explosionproof

Accessories