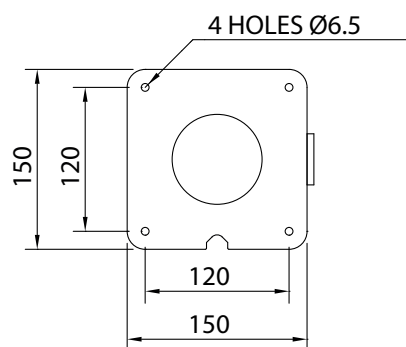
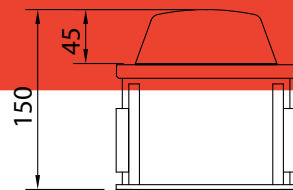




LED Beacons Series W



Comprising a robust Black Polycarbonate Base, and a Polycarbonate lens. Multiple units from the Series T, Series U, Series V and Series W ranges can be joined together, including the matching IAS-T Sounder and ISB-T Sounder Beacon, to provide an integrated signalling system.

Operating mode (Pulsed/Static) is selected at time of installation using a jumper link. Circuitry is fixed to the dome assembly, with convenient access to the terminal block for wiring.

Dome assemblies are fitted to the bases by three stainless steel screws and a custom moulded gasket seal. Mounting to panels, walls or brackets is by four external mounting holes. A compression cable gland and anti-condensation breather is supplied.

Supplied as a complete boxed beacon (Base plus dome assembly). Red, Amber, Green, Blue and Clear lenses are available.

	PSW/DC/12-36/LED	PSW/UC/115-230/LED
Supply Voltage	12-36Vdc	115-230Vuc
Minimum Supply Voltage	10.2Vdc	97Vuc
Maximum Supply Voltage	40Vdc	265Vuc
Average Current Draw (Pulsed)	132mA@12Vdc, 86mA@24Vdc, 84mA @36Vdc	38mA@115Vac, 21mA@230Vac
Peak Operating Current	764mA@12Vdc (Static)	233mA@115Vac (Static)
Nominal power consumption (Pulsed)	1.6W@12Vdc, 2.1@24Vdc, 3W@36Vdc	1.6W@115Vac, 2.0W@230Vac
Factory-set Flash Rate	120fpm (2Hz)	
Number of functions / patterns	2 - Static / Pulsed	
Luminous Intensity	Red	8Cd
	Amber	30Cd
	Green	17Cd
	Blue	11Cd
	Clear	55Cd
Angle of max rated brilliance	Horizontal	
Recommended fuse rating	external - 500mA TD	
IEC protection class	IP65	
Operating Temperature Range	-20 to +55 Degrees C	
Net Product Weight	625g	

General

Automotive

Obstruction

Audible

Telephone

Accessories