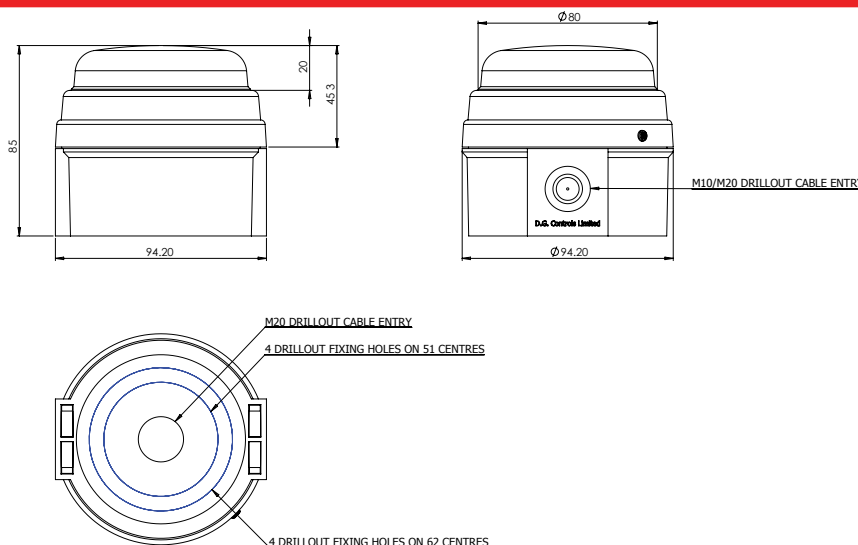


LED Beacons Series C



PSC - Pulsed (Flashing) LED warning beacons with internal jumper to select Static (Continuous) option.

Extensively configurable, comprising a robust White (standard) or Red (option) ABS Base, and a Polycarbonate lens. Multiple units can be joined together, including the matching IAS-C Sounder, to provide an integrated signalling system.

Circuitry is fixed to the lens assembly, with convenient access to the terminal block for wiring, allowing easy fitting of bases and wiring during installation, and safe storage of the electronics and lenses for phase 2 fitting.

Lenses are fitted to the bases by bayonet fitting with an O-ring seal, secured by a single securing grub screw. There are no other external fixings, and all connections between enclosure parts are protected by O-rings.

		PSC/DC/24/LED	PSC/UC/115-230/LED
Supply Voltage		24Vdc	115-230Vuc (ac or dc)
Minimum Supply Voltage		20Vdc	97Vuc
Maximum Supply Voltage		27Vdc	265Vuc
Average Current Draw		75mA	32-60mA
Peak Operating Current		180mA	290mA
Nominal power consumption		3W	3W
Flash Rate		120fpm 2Hz with Static (0Hz) option	
Luminous Intensity	Red	26Cd	26Cd
	Amber	25Cd	25Cd
	Green	25Cd	25Cd
	Blue	7Cd	7Cd
	Clear	38Cd	38Cd
Angle of max rated brilliance		On axis with front face	
Recommended fuse rating		Internal - 500mA TD	
IEC protection class		IP65	
Operating Temperature Range		-20 to +45 Degrees C	
Net Product Weight		165g	175g

