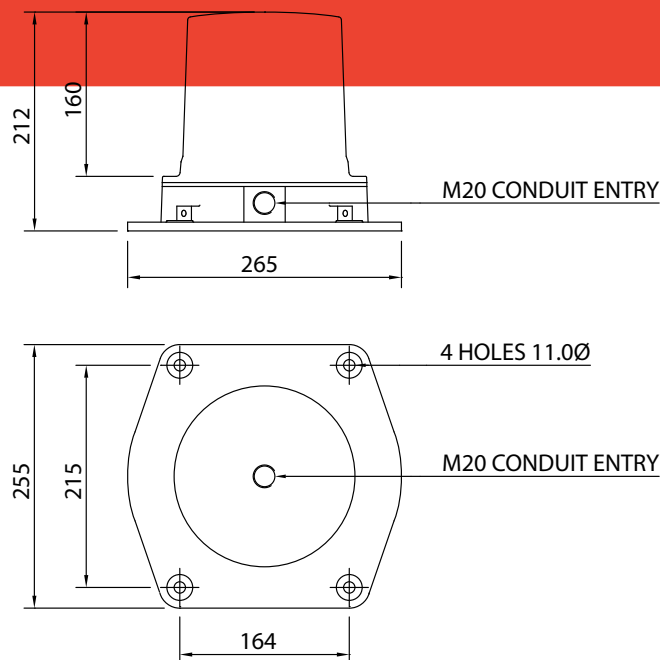




LED Beacons Series J



Multi-function Rotating/Pulsed/Static LED Beacon with 8 operating modes. Comprising a robust White EPC Cast Aluminium Base, and a Polycarbonate lens.

Circuitry sits on three internal pillars, with convenient access to the terminal block for wiring. Lenses are fitted to the bases by four stainless steel screws and a custom moulded gasket seal.

Supplied as a complete boxed beacon (Base assembly and Coloured dome lens).

Operating mode is easily configured at installation with a choice of Static, Standard-Pulse, Slow-Pulse, Fast-Pulse, Triple-Flash, Random-Flash, Strobe - 1 pulse per second (1Hz) and Revolving (Simulated Rotating).

	PSJ/DC/12/LED	PSJ/DC/24/LED	PSJ/UC/115-230/LED	
Supply Voltage	12Vdc	24Vdc	115Vac	230Vac
Minimum Supply Voltage	10.2Vdc	20.4Vdc	97Vuc	
Maximum Supply Voltage	13.8Vdc	27.6Vdc	265Vuc	
Average Current Draw	453mA@12V	151mA@24Vdc	102mA@115V	63mA@230V
Peak Operating Current	1.54A@13.8Vdc	671mA@27.6Vdc	1.06mA@97V	
Nominal power consumption	5.4W	3.6W	4.7W	5.2W
Flash Rate	Factory-set		120fpm 2Hz	
	Other		Static, Slow-Pulse, Triple-Flash, Strobe, Fast-Pulse, Random-Flash, Revolving	
Luminous Intensity	Red	55Cd		
	Amber	76Cd		
	Green	58Cd		
	Blue	27Cd		
	Clear	90Cd		
Angle of max rated brilliance	0 Degrees vertical			
Recommended fuse rating	Internal - T1A			
IEC protection class	IP65			
Operating Temperature Range	-20 to +55 Degrees C			
Net Product Weight	3.4kg			