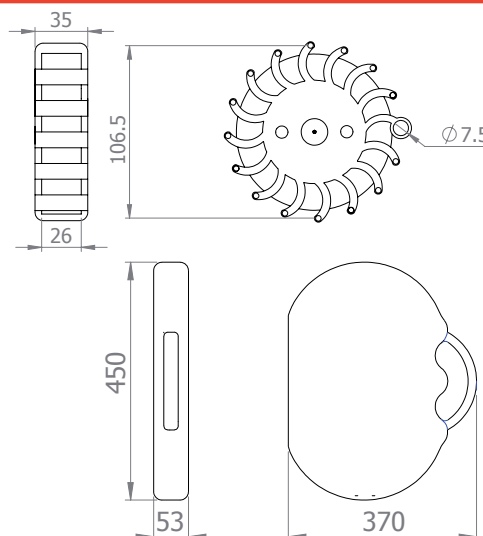




Battery Beacons

BB-6 Boxed set of 6



Set of six BB-1 Battery operated LED beacons each with rechargeable battery and heavy duty magnet in a custom storage/charging case. 360 degree LED light can be seen up to 1km away, and includes 9 user selectable operating modes.

Each BB-1 beacon incorporates a tough rubberised shell and high-strength plastic inner casing. Can be hand-held or placed on the road as emergency warning beacon. Magnetic for attaching to any suitable surface, e.g. vehicle, or may be hung from clothing, belt, fence, railing, etc.

Fully rechargeable, floats, waterproof to 25 meters and magnetic. BB-1 beacons can be driven over and dropped.

All six BB-1 beacons can be charged in the case either in your car, from the mains. Both mains and vehicle chargers, adapters and cables are included in the package.

	BB-6/Red	BB-6/Amber	BB-6/Yellow	BB-6/Green	BB-6/Blue	BB-6/Clear
Rubberised Housing / LED Colour	Red	Amber	Yellow	Green	Blue	White
Approximate Run-time	Rotating		9 hours		7 hours	
(From full charge)	Quad-flash		9 hours		7 hours	
	Single-flash		60 hours		45 hours	
	Alternating-blinks		9 hours		7 hours	
	SOS - Morse Code		14 hours		10 hours	
	Steady - High		6 hours		4 hours	
	Steady - Low		35 hours		26 hours	
	2 LED Torch		9 hours		7 hours	
	4 LED Torch		6 hours		4 hours	
Number of LEDs	16 per beacon					
Mains Charger	100-240Vac, 50-60 Hz, 0.5A					
Vehicle Charger	12-24Vdc					
IEC protection class	BB-1 beacons: IP67, Storage/Charging case not rated.					
Operating Temperature Range	-40 to +55 Degrees C					
Net Product Weight	Single BB-1 beacon: 190g, Cased set of six: 3kg					