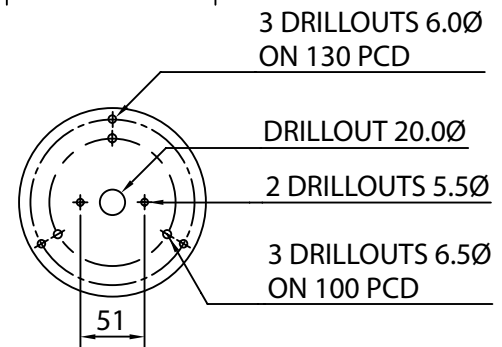
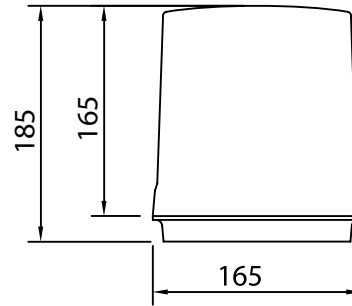


Rotating Mirror Beacons Series RFK/RMLED



A traditional rotating mirror beacon with solid state LED light source. Extremely high light output and a very pure colour obtained from using the same colour LED as beacon lens. Red, Amber, Green, Blue, Clear colour options are available.

Extremely low power, typically less than 7W, makes it suitable for fire and security systems, and for systems which feature battery back-up in case of failure of the primary power source. The Ultra-low current draw means more units can be powered from a single source.

Two voltage options are available; 12-55Vdc and 115-230Vuc (uc = ac or dc).

		RFK/DC/12-55/RMLED	RFK/UC/115-230/RMLED
Supply Voltage		12-55Vdc	115-230Vuc
Minimum Supply Voltage		12Vdc	98Vuc
Maximum Supply Voltage		55Vdc	264Vuc
Average Current Draw	Red/Amber	178mA (@24Vdc)	51mA (@230Vuc)
	Green/Blue/Clear	251mA (@24Vdc)	65mA (@230Vuc)
Peak Operating Current		605mA (@12Vdc)	364mA (@115Vuc)
Nominal power consumption	Red/Amber	4.3W (@24Vdc)	5.0W (@230Vuc)
	Green/Blue/Clear	6.0W (@24Vdc)	6.7W (230@Vuc)
Flash Rate		150fpm (2.5Hz)	
Luminous Intensity	Red	146Cd	
	Amber	232Cd	
	Green	308Cd	
	Blue	220Cd	
	Clear	870Cd	
Angle of max rated brilliance		0 Degrees Vertical	
Recommended fuse rating		External - 500mA TD	
IEC protection class		IP65	
Operating Temperature Range		-40 to +55 Degrees C	
Net Product Weight		860g	