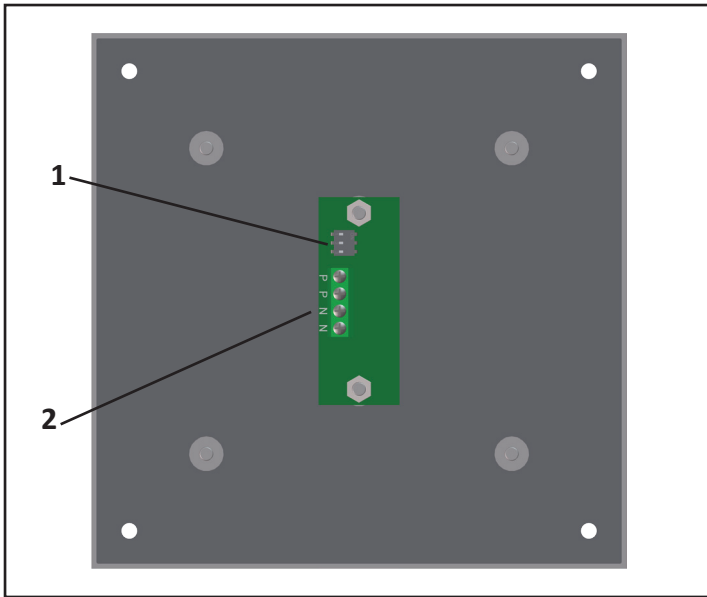
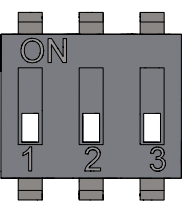


PSF/HP-LED Multi-Function LED Beacon

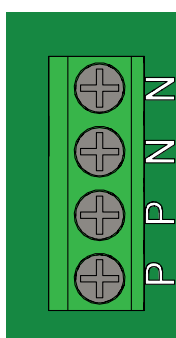


1



1	2	3	PATTERN
OFF	OFF	OFF	[Pattern: High pulse]
ON	OFF	OFF	[Pattern: High-frequency pulse train]
OFF	ON	OFF	[Pattern: High-frequency pulse train]
ON	ON	OFF	[Pattern: Dashed line]
OFF	OFF	ON	[Pattern: Sequence of pulses labeled 1L to 6L]
ON	OFF	ON	[Pattern: High pulse]
OFF	ON	ON	[Pattern: High-frequency pulse train]
ON	ON	ON	[Pattern: High pulse]

2



PSF/DC/12-55/	PSF/UC/115-230/
-ve (0V)	N
+ve (24Vdc)	P (98-264Vac/dc)

