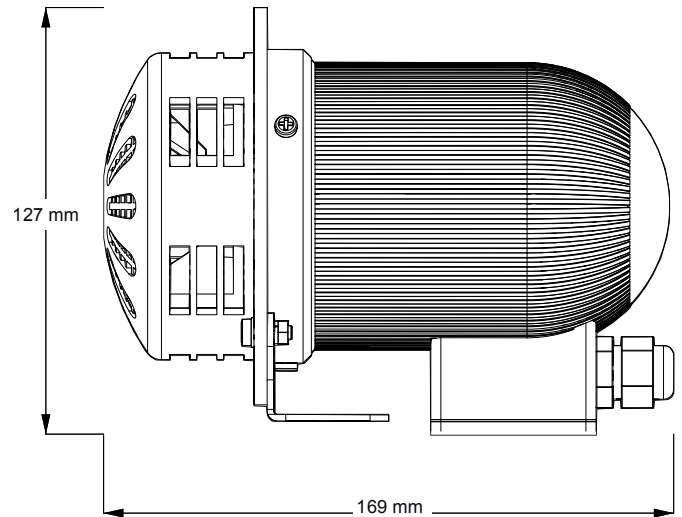


# Motor-driven Sirens

## MDS-1



Compact and powerful motor driven siren constructed from UV stabilised polycarbonate. Ideal for all signalling or alarm applications where a lightweight motorised siren is required.

12Vuc, 24Vuc, 115Vuc and 230Vuc models available (uc = ac or dc).

Features plated steel mounting foot and fitted cable gland.

Mounting foot may be located in one of four positions to ease mounting and cable entry.

	MDS-1/UC/12	MDS-1/UC/24	MDS-1/UC/115	MDS-1/UC/230
Supply Voltage	12Vuc	24Vuc	115Vuc	230Vuc
Minimum Supply Voltage	10.8V	21.6V	103.5V	207V
Maximum Supply Voltage	13.2V	26.4V	126.5V	253V
Average Current Draw*	10.6A	7.5A	1A	0.7A
Sound frequency	1150Hz	1400Hz	1100Hz	1400Hz
Sound output @ 1m	107 - 112dB(A)			
Approximate range	600m in still air on open field			
Duty Cycle	5 minutes on - 10 minutes off			
IEC protection class	IP45			
Operating Temperature Range	-10 to +45 Degrees C			
Net Product Weight	1.1kg			
Mounting	This unit should ideally be mounted in a horizontal position. In environments where dirt or particles may fall onto the moving parts of the siren's impeller, it is recommended to mount the unit with the nose cone facing down. Cable entry must be protected with the appropriate cable gland.			

\* Please multiply the current consumption by 6 to allow for start-up current