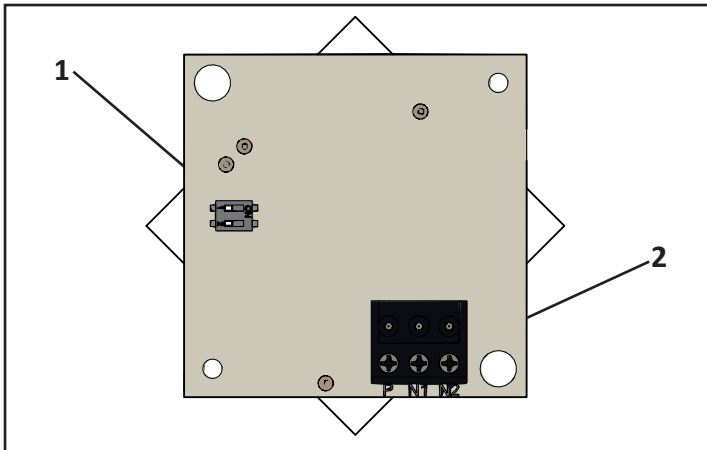
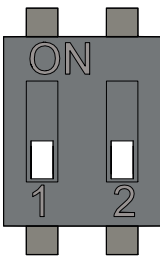


PSC/LED/RG

Dual Colour LED Beacon

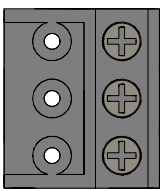


1



SW	Colour	Off	On
1	Red	Static	Pulsed
2	Green	Static	Pulsed

2



	PSC/DC/24/LED/RG
N2	-ve (0V) - Green
N1	-ve (0V) - Red
P	+ve (24Vdc)

Note: Red takes priority if both N1 & N2 are connected.

