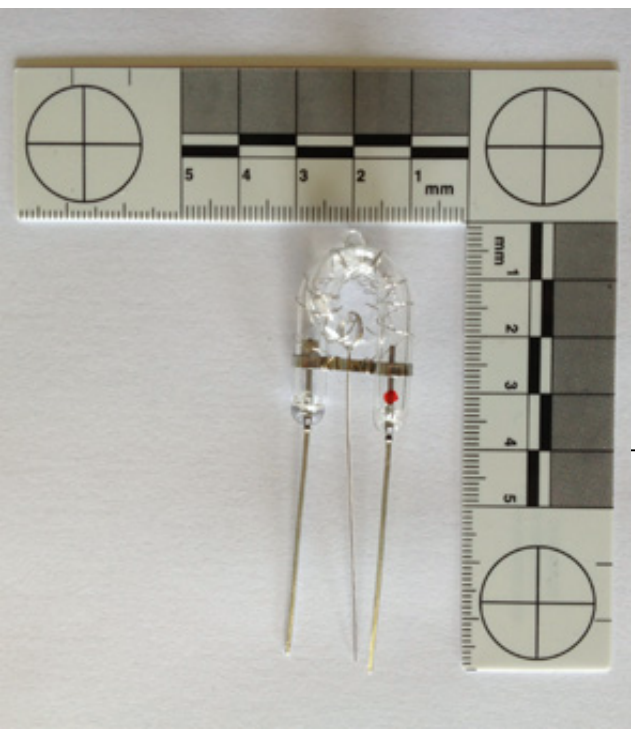
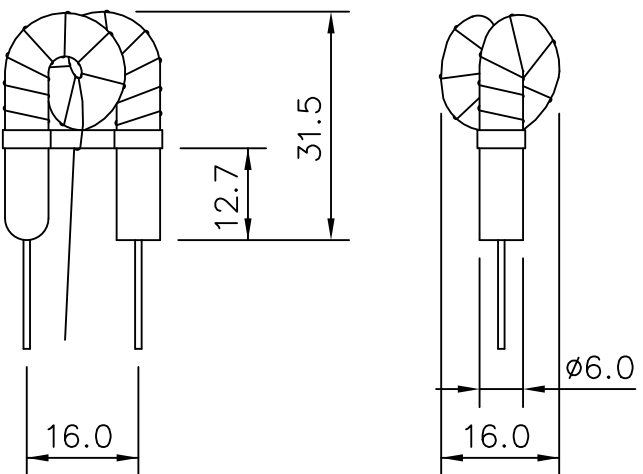


DRAWING NUMBER

2285A4-1

MODIFICATIONS

	MIN.	NOMINAL	MAX.
ANODE VOLTS	200	270	350
JOULES		25	
WATTS		25	
TRIGGER VOLTS		5KV	
LIFE FLASHES		10 x 10 <sup>6</sup>	
AMBIENT TEMP.		80	



D G Controls Limited

Swadlincote Derbyshire England

DRAWN	ENG.	DATE	LINEAR SCALE	PART NUMBER	PROJECTION
IM		13.06.12	1:1		3RD ANGLE

TITLE

FTX3 XENON TUBE