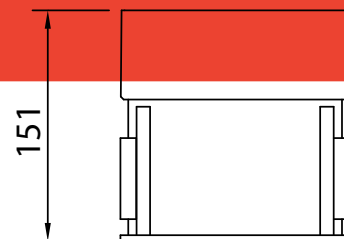


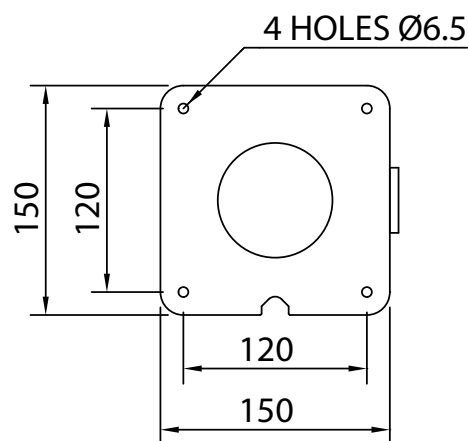
LED Beacons Series U



Static (Continuous) LED uni-directional Status Indicators. Extensively configurable, comprising a robust Black Polycarbonate base and hood with plain clear polycarbonate lens.

Clear-package LEDs and clear lens eliminates the problem of the indicator appearing to be "ON" when struck by direct sunlight.

Multiple units from the Series T, Series U, Series V and Series W ranges can be joined together, including the matching IAS-T Sounder and ISB-T Sounder Beacon, to provide an integrated signalling system.



Hood assembly is fitted to the base using a gasket and three screws. Mounting to panels, walls or brackets is by four external mounting holes.

A compression cable gland and anti-condensation breather is supplied.

	SBU/UC/24/LED	SBU/AC/115/LED	SBU/AC/230/LED
Supply Voltage	24Vuc (ac or dc)	115Vac	230Vac
Minimum Supply Voltage	20.4Vuc	97.7Vac	195.5Vuc
Maximum Supply Voltage	27.6Vuc	132Vac	264.5Vac
Average Current Draw	178mA	74mA	34mA
Peak Operating Current	219mA	155mA	55mA
Flash Rate	Non-flashing (Continuous) light source		
Luminous Intensity/	Red	200 cd / 30 degrees	
Beam Angle	Amber	290 cd / 17 degrees	
	Green	450 cd / 25 degrees	
	Blue	335 cd / 15 degrees	
	Clear	965 cd / 13 degrees	
Angle of max rated brilliance	On axis with front face		
Recommended fuse rating	T1A	T1A	T1A
IEC protection class	IP65		
Operating Temperature Range	-20 to +55 Degrees C		
Net Product Weight	674g	887g	887g