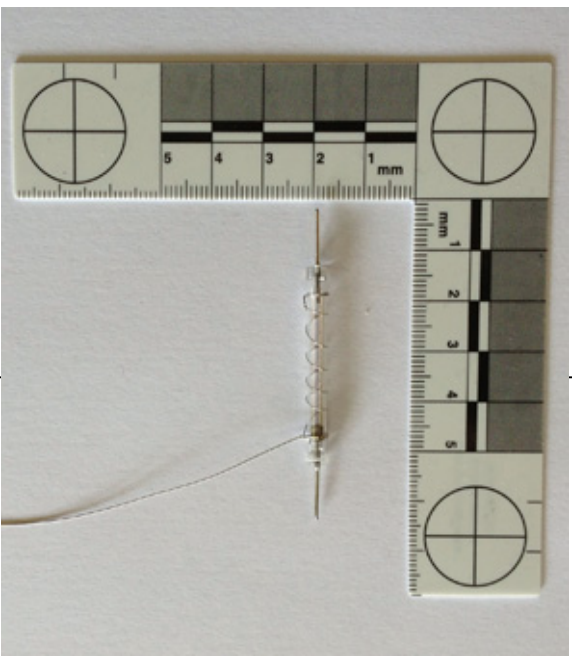
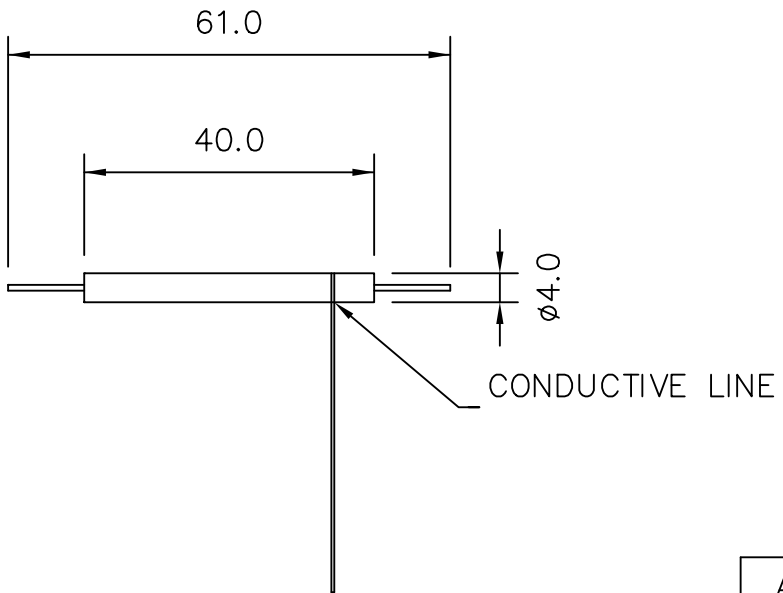


DRAWING NUMBER

2286A4-1

MODIFICATIONS

	MIN.	NOMINAL	MAX.
ANODE VOLTS	180	330	350
WATTS NOM		2	
WATTS MAX		3	
TRIGGER VOLTS		6KV	
LIFE FLASHES		$10 \times 10^6$	
AMBIENT TEMP.		80	



D G Controls Limited  
Swadlincote Derbyshire England

DRAWN	ENG.	DATE	LINEAR SCALE	PART NUMBER	PROJECTION
IM		13.06.12	1:1		3RD ANGLE

TITLE  
FTX4 XENON TUBE