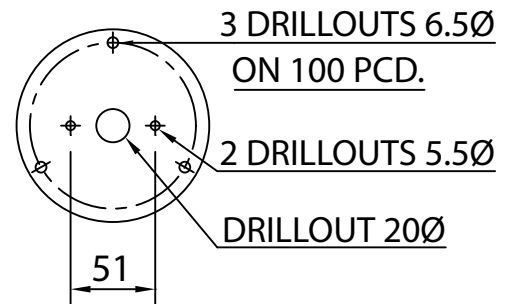
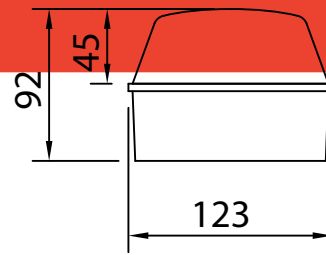


# Xenon Strobe Beacons Series R



Compact xenon strobe visual warning device featuring ABS base and polycarbonate dome lens. Bases available in White (standard) or Black whilst lenses are available in Red, Amber, Green, Blue or Clear.

2.5 Joule models available for use with a 12-24Vdc, 115Vac or 230Vac supply.

5 Joule 24Vac model also available.

Primarily a uni-directional forward projecting signal with good off-axis visibility.

		XFR/DC/12-24/SH/2.5J	XFR/AC/24/SH/5J	XFR/AC/115/SH/2.5J	XFR/AC/230/SH/2.5J
Supply Voltage		12-24Vdc	24Vac	115Vac	230Vac
Minimum Supply Voltage		10.2Vdc	20.4Vac	97Vac	195Vac
Maximum Supply Voltage		27.6Vdc	27.6Vac	132Vac	264Vac
Average Current Draw		146mA	470mA	70mA	41mA
Peak Operating Current		452mA	1.1A	1.4A	354mA
Nominal power consumption		3.5W	9W	3.9W	3.8W
Flash Rate		60fpm 1Hz	60fpm 1Hz	60fpm 1Hz	60fpm 1Hz
Luminous Intensity	Red	5Cd	10Cd	5Cd	5Cd
	Amber	20Cd	40Cd	20Cd	20Cd
	Green	7Cd	14Cd	7Cd	7Cd
	Blue	7Cd	14Cd	7Cd	7Cd
	Clear	43Cd	86Cd	43Cd	43Cd
Angle of max rated brilliance		On axis with front face			
Recommended fuse rating		External - T500mA			
IEC protection class		IP65			
Operating Temperature Range		-20 to +55 Degrees C			
Net Product Weight		246g	260g	237g	242g