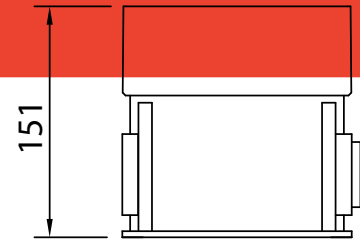


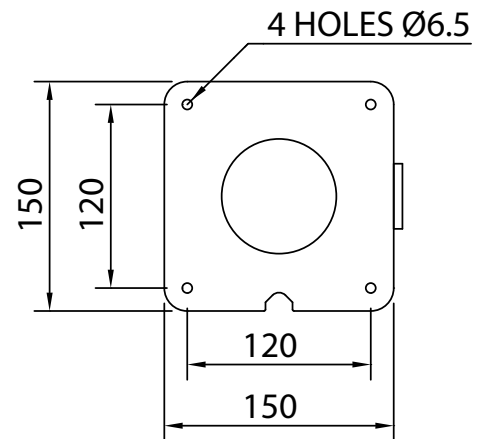
# Filament Beacons Series U



Static (Continuous) Filament Lamp Status Indicators. Extensively configurable, comprising a robust Black Polycarbonate base and hood with coloured polycarbonate lens.

Multiple units from the Series T, Series U, Series V and Series W ranges can be joined together, including the matching IAS-T Sounder and ISB-T Sounder Beacon, to provide an integrated signalling system.

Standard unit supplied with voltage appropriate B15d (SBC) lamp. Optionally available without lamp (SBU/UC/0/B15d/Colour).



Hood assembly is fitted to the base using a gasket and three screws. Mounting to panels, walls or brackets is by four external mounting holes.

A compression cable gland and anti-condensation breather is supplied.

		SBU/UC/12/B15D	SBU/UC/24/B15D	SBU/UC/48/B15D	SBU/UC/115/B15D	SBU/UC/230/B15D
Supply Voltage		12Vuc (ac or dc)	24Vuc (ac or dc)	48Vuc (ac or dc)	115Vuc (ac or dc)	230Vuc (ac or dc)
Minimum Supply Voltage		10.2Vdc	20.4Vuc	40.8Vuc	97.7Vuc	195.5Vuc
Maximum Supply Voltage		13.8Vdc	27.6Vuc	55.2Vuc	132Vuc	264.5Vuc
Average Current Draw		1.73A	0.89A	205mA	134mA	102mA
Peak Operating Current				N/A		
Rated Lamp power		21W	21W	10W	15W	25W
Flash Rate		Non-flashing (Continuous) light source				
Luminous Intensity	Red	53 cd	53 cd	13 cd	9 cd	12 cd
	Amber	126 cd	126 cd	30 cd	27 cd	32 cd
	Green	33 cd	33 cd	9 cd	6 cd	9 cd
	Blue	18 cd	18 cd	5 cd	4 cd	5 cd
	Clear	195 cd	195 cd	48 cd	42 d	49 cd
Beam Angle		11 degrees	11 degrees	16 degrees	20 degrees	25 degrees
Angle of max rated brilliance		On axis with front face				
Recommended fuse rating (External)		T2A	T1A	F500mA	F500mA	F500mA
IEC protection class		IP65				
Operating Temperature Range		-20 to +55 Degrees C				
Net Product Weight		664g	664g	662g	667g	667g