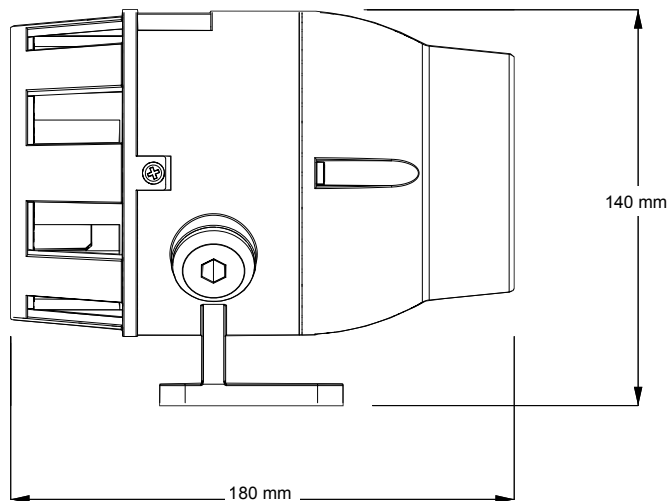


Motor-driven Sirens

MDS-3



A robust, pressure die cast aluminium motor driven siren with a powerful lower frequency sound output and yellow powder-coat finish. Ideal for all signalling or alarm applications where a siren is required.

Dual cable entry for looping connecting cables with removable back cover for easy access to terminations.

12-24Vdc, 115Vuc and 230Vuc models available (uc = ac or dc).

Non-adjustable mounting foot as part of body casting.

	MDS-3/DC/12-24	MDS-3/UC/115	MDS-3/UC/230
Supply Voltage	12Vuc	115Vuc	230Vuc
Minimum Supply Voltage	10.8V	103.5V	207V
Maximum Supply Voltage	26.4V	126.5V	253V
Average Current Draw*	12V: 3A, 24V: 5.25A	2A	1A
Sound frequency		950 - 1200Hz	
Sound output @ 1m	12V: 110dB(A), 24V: 113dB(A)	116dB(A)	116dB(A)
Approximate range	1000m in still air on open field		
Duty Cycle	10 hours continuous		
IEC protection class	IP65		
Operating Temperature Range	-10 to +45 Degrees C		
Net Product Weight	2.5kg		
Mounting	This unit should ideally be mounted in a horizontal position. In environments where dirt or particles may fall onto the moving parts of the siren's impeller, it is recommended to mount the unit with the nose cone facing down. Cable entry must be protected with the appropriate cable gland.		

* Please multiply the current consumption by 6 to allow for start-up current