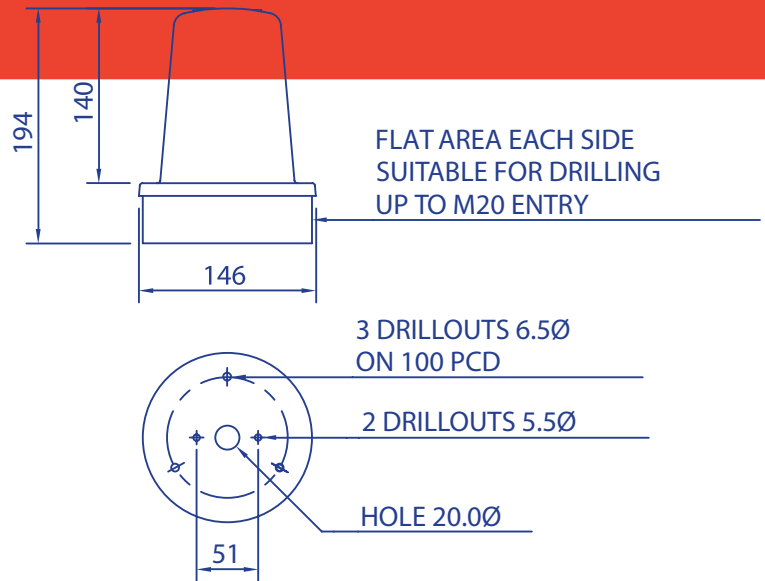


# Xenon Strobe Beacons Series E



Traditional high-dome xenon strobe visual warning device featuring ABS base and polycarbonate dome lens. Bases available in White (standard), Black or Red whilst lenses are available in Red, Amber, Green, Blue or Clear.

On-board switches allow the installer to select from a choice of four flash rates.

Standard 11 Joule models available for use with a 12Vuc, 24Vuc, 115Vac or 230Vac supply (uc = ac or dc). May be ordered with Double-flash (standard) or Single-flash signalling pattern.

Additional voltage ranging 5 Joule models are available for use on 10-100Vdc (20-70Vac) and 100-130Vdc supplies.

	XFE/UC/12/_/11J	XFE/UC/24/_/11J	XFE/AC/115/_/11J	XFE/AC/230/_/11J	XFE/UC/VRA/SH/5J	XFE/UC/VRC/SH/5J
Supply Voltage	12Vuc	24Vuc	115Vac	230Vac	10-100Vdc	100-130Vdc
Minimum Supply Voltage	10.2Vuc	20.4Vuc	97.8Vac	195.5Vac	10Vdc	100Vdc
Maximum Supply Voltage	13.8Vuc	27.6Vuc	132.2Vac	264.5Vac	100Vdc	130Vdc
Average Current Draw	1.58A	740mA	160mA	110mA	350mA @ 24V	60mA
Peak Operating Current	1.87A	990mA	1.41A	1.4A	730mA @ 12V	130mA@100V
Nominal power consumption	19.1W	17.8W	8.3W	10.1W	8.3W @ 24V	6.1W
Flash Rate	Factory Set 60fpm (1Hz)					
	User Options 30, 45, 90 fpm (0.5, 0.75, 1.5 Hz)					
Luminous Intensity	Red	32Cd		10Cd		
(SH @ 1Hz)	Amber	117Cd		37Cd		
	Green	62Cd		20Cd		
	Blue	32Cd		10Cd		
	Clear	220Cd		65Cd		
Angle of max rated brilliance	45 degrees from Horizontal					
Recommended fuse rating	2A TD	1A TD	500mA QB	500mA QB	1A TD	1A TD
IEC protection class	IP65					
Operating Temperature Range	-20 to +55 Degrees C					
Net Product Weight	530g	530g	470g	475g	530g	530g