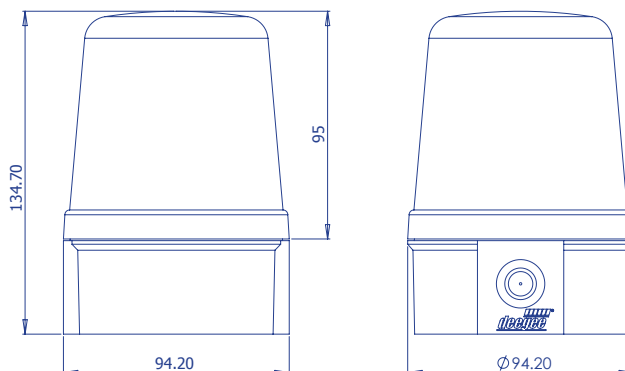
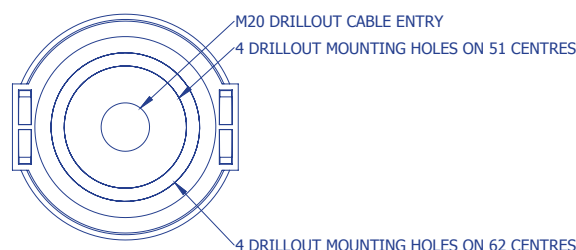




LED Beacons Series B/HP-LED



The PSB/HP-LED employs high-performance LEDs yielding both high brightness levels and a wider, more-evenly distributed, angle of view. Series B is an IP66 rated enclosure, pre-moulded with drill-outs for M10 and M20 cable gland entries. The lens fits with a specially designed O-ring and tightens on a bayonet-style fitting, securing with an anti-tamper screw into a blind hole.



Operating mode is easily configured at installation with a choice of:

- | | |
|-----------------------------------|---------------------------------|
| Static | Standard Pulse |
| Slow Pulse | Fast Pulse |
| Triple Flash | Quintuple (5) Flash |
| Strobe - 1 pulse per second (1Hz) | Revolving (Simulated Rotating). |

| | PSB/DC/10-55/HP-LED | PSB/UC/115-230/HP-LED |
|--------------------------------|----------------------|-----------------------|
| Supply Voltage | 10-55Vdc | 115-230Vuc |
| Minimum Supply Voltage | 10Vdc | 97Vuc |
| Maximum Supply Voltage | 55Vdc | 265Vuc |
| Average Current Draw | 79mA@24Vdc | 25mA@230Vac |
| Peak Operating Current | 317mA@12V | 345mA@97Vac |
| Nominal power consumption | 2W | 2.47W |
| Factory-set Flash Rate | 120fpm 2Hz | |
| Number of functions / patterns | 8 | |
| Luminous Intensity | Red | 26Cd |
| | Amber | 26Cd |
| | Green | 22Cd |
| | Blue | 9Cd |
| | Clear | Cd |
| Angle of max rated brilliance | +3 Degrees vertical | |
| Recommended fuse rating | external - 500mA TD | |
| IEC protection class | IP66 | |
| Operating Temperature Range | -20 to +55 Degrees C | |
| Net Product Weight | 238g | |