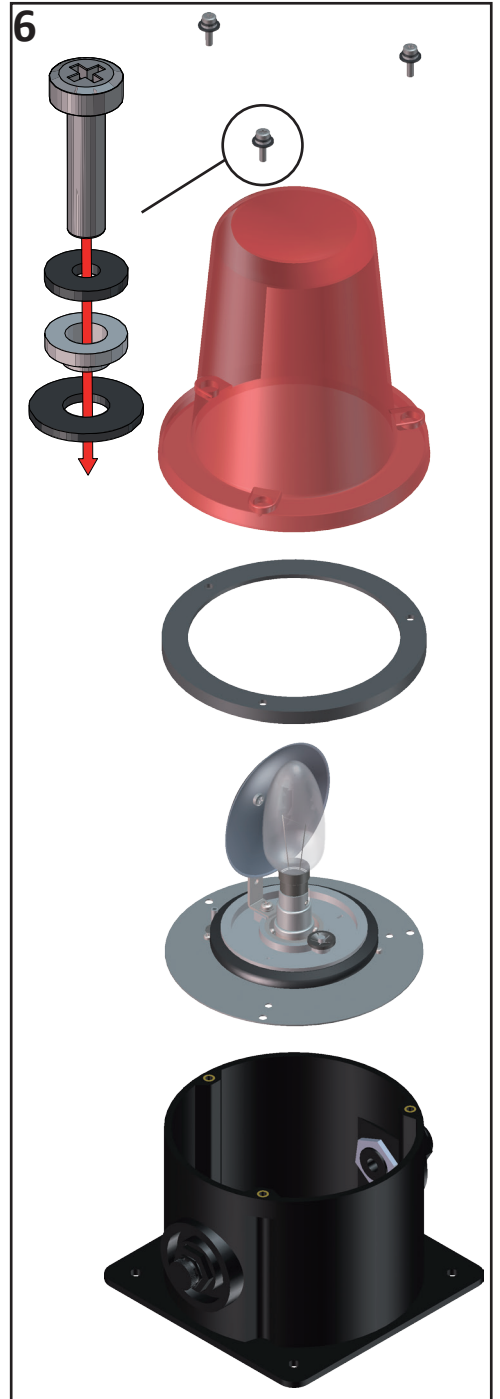
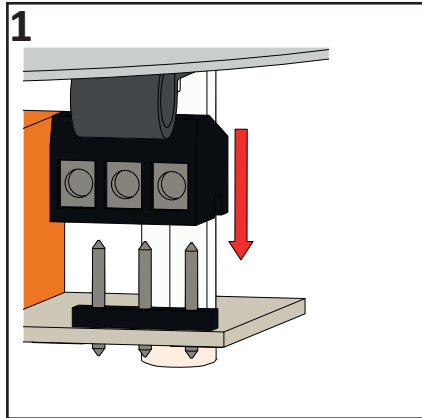
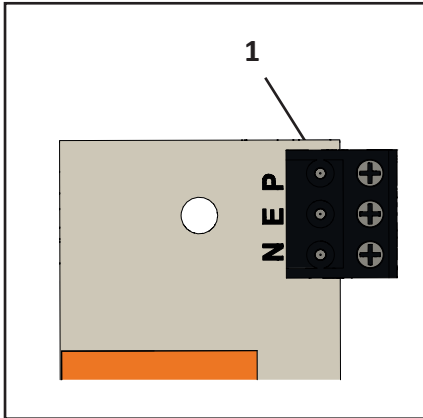


RFT/B15d

Rotating Mirror Beacon



2

| | | | |
|-----------------|-------------|---|-------------------|
| RFT/UC/12/B15D | -ve (0V) | | +ve (12Vac/dc) |
| RFT/UC/24/B15D | -ve (0V) | | +ve (24Vac/dc) |
| RFT/AC/115/B15D | N | E | P (115Vac) |
| RFT/AC/230/B15D | N | E | P (230Vac) |

3

| | |
|-------------|------------|
| 12V 48W | RFT/UC/12 |
| 24V 48W | RFT/DC/24 |
| 115V 60W | RFT/AC/115 |
| 230V 60W | RFT/AC/230 |

