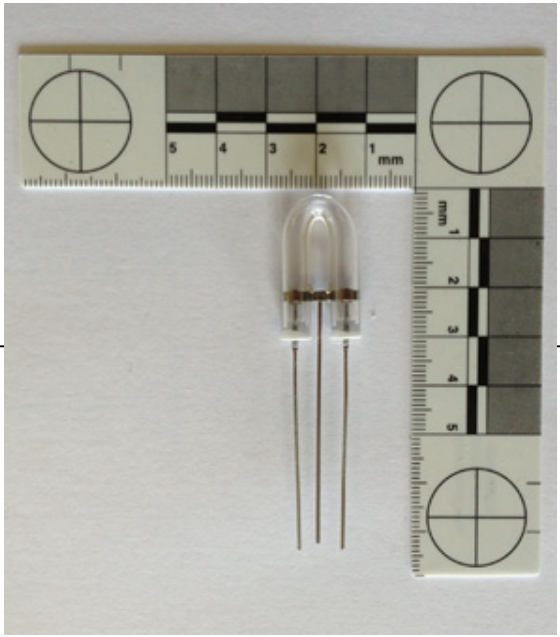
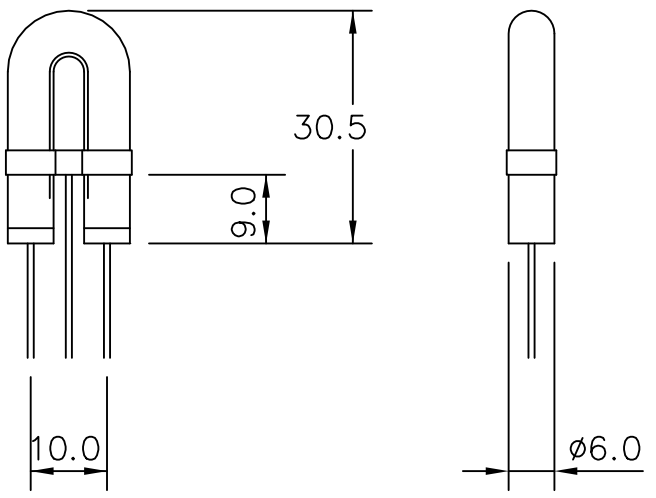


DRAWING NUMBER
2283A4-1

MODIFICATIONS

	MIN.	NOMINAL	MAX.
ANODE VOLTS D	200	270	350
JOULES		6	
WATTS		6	
TRIGGER VOLTS		5KV	
LIFE FLASHES		5×10^6	
AMBIENT TEMP.°C		80	



D G Controls Limited

Swadlincote Derbyshire England

DRAWN IM 13.06.12	ENG.	APPR.	LINEAR SCALE 1:1	PART NUMBER	PROJECTION
-------------------------	------	-------	------------------------	-------------	------------

TITLE
FTX1 XENON TUBE

