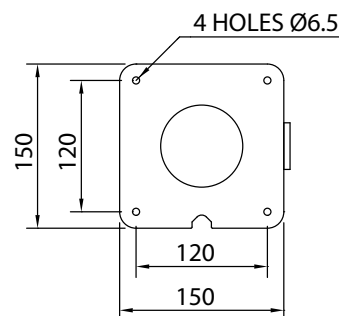
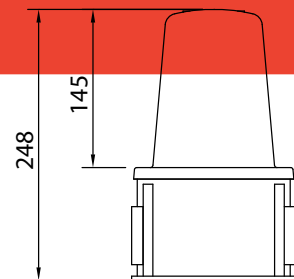




LED Beacons Series T



Multi-function Rotating/Pulsed/Static LED Beacon with 8 operating modes. Comprising a robust Black Polycarbonate Base, and a Polycarbonate lens. Multiple units from the Series T, Series U, Series V and Series W ranges can be joined together, including the matching IAS-T Sounder and ISB-T Sounder Beacon, to provide an integrated signalling system.

Circuitry sits on the base, under the dome lens gasket, with convenient access to the terminal block for wiring. Lenses are fitted to the bases by three stainless steel screws and a custom moulded gasket seal.

Supplied as a complete boxed beacon (Base assembly and Coloured dome lens).

Operating mode is easily configured at installation with a choice of Static, Standard-Pulse, Slow-Pulse, Fast-Pulse, Triple-Flash, Random-Flash, Strobe - 1 pulse per second (1Hz) and Revolving (Simulated Rotating).

	PST/DC/12/LED	PST/DC/24/LED	PST/UC/115-230/LED	
Supply Voltage	12Vdc	24Vdc	115Vac	230Vac
Minimum Supply Voltage	10.2Vdc	20.4Vdc	97Vuc	
Maximum Supply Voltage	13.8Vdc	27.6Vdc	265Vuc	
Average Current Draw	453mA@12V	151mA@24Vdc	102mA@115V	63mA@230V
Peak Operating Current	1.54A@13.8Vdc	671mA@27.6Vdc	1.06mA@97V	
Nominal power consumption	5.4W	3.6W	4.7W	5.2W
Flash Rate	Factory-set		120fpm 2Hz	
	Other		Static, Slow-Pulse, Triple-Flash, Strobe, Fast-Pulse, Random-Flash, Revolving	
Luminous Intensity	Red	55Cd		
	Amber	76Cd		
	Green	58Cd		
	Blue	27Cd		
	Clear	90Cd		
Angle of max rated brilliance	0 Degrees vertical			
Recommended fuse rating	Internal - T1A			
IEC protection class	IP65			
Operating Temperature Range	-20 to +55 Degrees C			
Net Product Weight	735g			