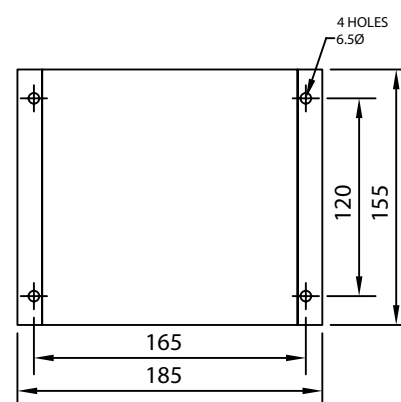
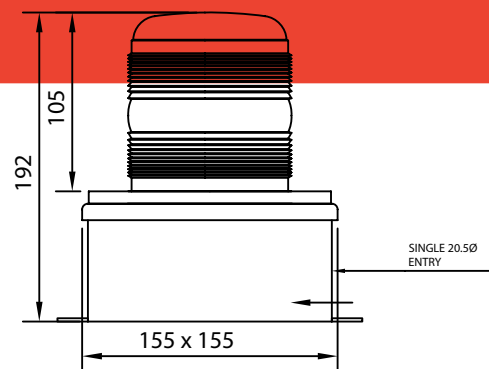




LED Beacons Series F/SS



Series PSF/SS is an IP65 rated enclosure, comprising a robust AISI 316 Stainless Steel base, and a Glass lens. Circuitry is fixed to the lid/lens assembly, with convenient access to the terminal block for wiring and mode configuration switches.

A total of 8 operating modes are available with the mode easily configured at installation with a choice of:

- | | |
|-----------------------------------|--|
| Static | Standard Pulse (120fpm) |
| Slow Pulse (60fpm) | Fast Pulse (240fpm) |
| Triple Flash | Random Flash |
| Strobe - 1 pulse per second (1Hz) | Revolving (Simulated Rotating) (120rpm). |

	PSF/DC/10-55/HP-LED	PSF/UC/115-230/HP-LED
Supply Voltage	10-55Vdc	115-230Vuc
Minimum Supply Voltage	10Vdc	97Vuc
Maximum Supply Voltage	55Vdc	265Vuc
Average Current Draw	79mA@24Vdc	25mA@230Vac
Peak Operating Current	317mA@12V	345mA@97Vac
Nominal power consumption	2W	2.47W
Factory-set Flash Rate	120fpm 2Hz	
Number of functions / patterns	8	
Luminous Intensity	Red	26Cd
	Amber	26Cd
	Green	22Cd
	Blue	9Cd
	Clear	20Cd
Angle of max rated brilliance	+3 Degrees vertical	
Recommended fuse rating	external - 500mA TD	
IEC protection class	IP65	
Operating Temperature Range	-20 to +55 Degrees C	
Net Product Weight	2.5kg	

General

Automotive

Obstruction

Audible

Explosionproof

Accessories