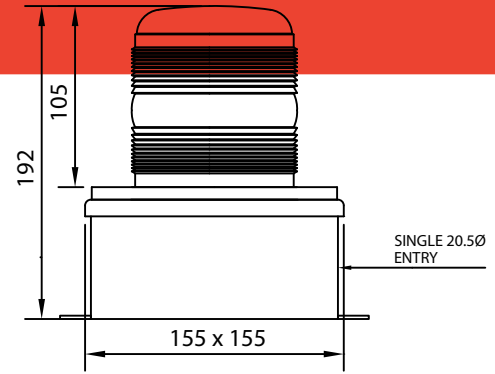


# Xenon Strobe Beacons

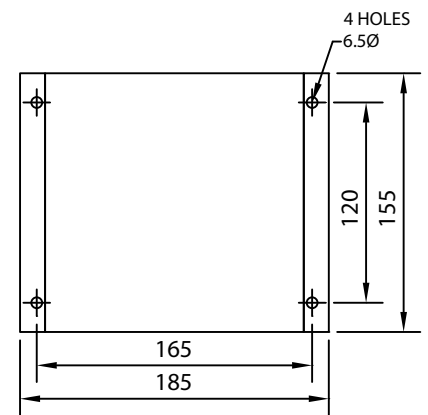
## Series F/SS



Extremely robust xenon beacon with glass lens. Constructed from AISI316 stainless steel, with chemical-resistant seals and stainless steel fixings. Suitable for use in harsh areas, such as paper manufacturing, where acid-wash clean down process is typical.

On-board switches allow the installer to select from a choice of four flash rates.

Standard 11 Joule models available for use with a 12Vuc, 24Vuc, 115Vac or 230Vac supply (uc = ac or dc). May be ordered with Double-flash (standard) or Single-flash signalling pattern.



Additional voltage ranging 5 Joule models (single flash only) are available for use on 10-100Vdc (20-70Vac) and 100-130Vdc supplies.

	XFF/SS/UC/12/_/11J	XFF/SS/UC/24/_/11J	XFF/SS/AC/115/_/11J	XFF/SS/AC/230/_/11J	XFF/SS/UC/NRA/SH/5J	XFF/SS/UC/VRC/SH/5J
Supply Voltage	12Vuc	24Vuc	115Vac	230Vac	10-100Vdc	100-130Vdc
Minimum Supply Voltage	10.2Vuc	20.4Vuc	97.8Vac	195.5Vac	10Vdc	100Vdc
Maximum Supply Voltage	13.8Vuc	27.6Vuc	132.2Vac	264.5Vac	100Vdc	130Vdc
Average Current Draw	1.58A	740mA	160mA	110mA	350mA @ 24V	60mA
Peak Operating Current	1.87A	990mA	1.41A	1.4A	730mA @ 12V	130mA@100V
Nominal power consumption	19.1W	17.8W	8.3W	10.1W	8.3W @ 24V	6.1W
Flash Rate	Factory Set 60fpm (1Hz)					
	User Options 30, 45, 90 fpm (0.5, 0.75, 1.5 Hz)					
Luminous Intensity	Red	67Cd			21Cd	
(SH Model -	Amber	290Cd			92Cd	
Schmidt-Clausen	Green	145Cd			47Cd	
Day constant)	Blue	295Cd			93Cd	
	Clear	650Cd			193Cd	
Angle of max rated brilliance	0 Degrees from Horizontal					
Recommended fuse rating (Internal)	T2A	T1A	F500mA	F500mA	T1A	T1A
IEC protection class	IP65					
Operating Temperature Range	-20 to +55 Degrees C					
Net Product Weight	2.72kg	2.72kg	2.66kg	2.66kg	2.72kg	2.72kg