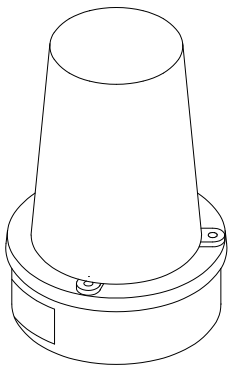




**deegee**  
[www.beaconlamps.com](http://www.beaconlamps.com)

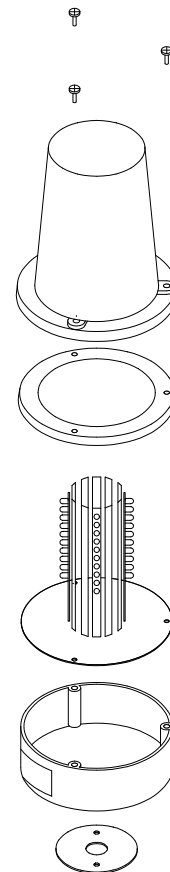
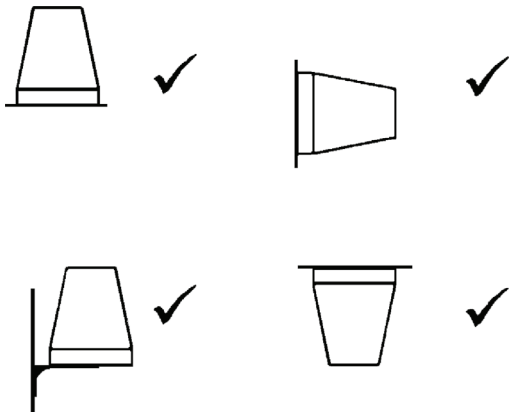
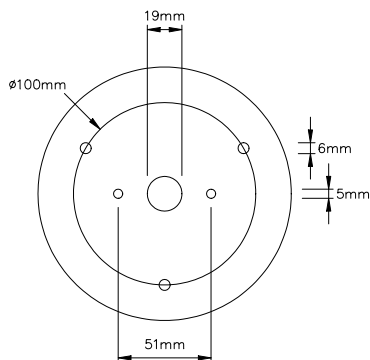
# SBE/LED

Static LED Warning Beacon



<b>12Vdc</b>	SBE/DC/12/LED/* or SBE/DC/12/AOV-LED/*
<b>24Vdc</b>	SBE/DC/24/LED/* or SBE/DC/24/AOV-LED/*
<b>48Vdc</b>	SBE/DC/48/LED/* or SBE/DC/48/AOV-LED/*
<b>115Vac</b>	SBE/AC/115/LED/* or SBE/DC/115/AOV-LED/*
<b>230Vac</b>	SBE/AC/230/LED/* or SBE/DC/230/AOV-LED/*

Mounting/Montage/Montage/Montaggio/Montaje



Manufactured in England by D.G. Controls Limited, Cadley Hill Road, Swadlincote, DE11 9TB, England  
Tel: +44 (0) 1283 550850 Fax: +44 (0) 1283 550776 e-mail: [mail@beaconlamps.com](mailto:mail@beaconlamps.com) www: <http://beaconlamps.com/>