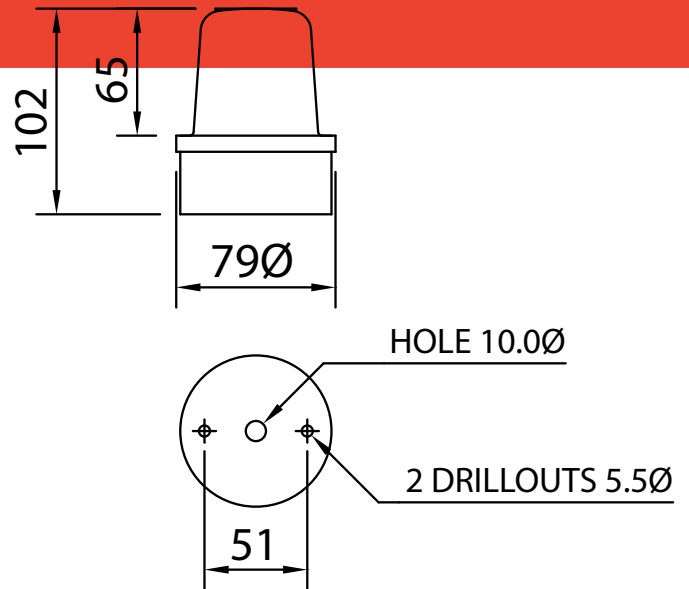


LED Beacons Series D/LED



Multi-function Rotating/Pulsed/Static LED Beacon with 8 operating modes. Comprising a robust White (standard) or Black (option) ABS Base, and a Polycarbonate lens.

Circuitry is fixed to the base, with convenient access to the terminal block for wiring. Lenses are fitted to the bases by three stainless steel screws and a custom moulded gasket seal.

Supplied as a complete boxed beacon (Base assembly and Coloured dome lens).

Operating mode is easily configured at installation with a choice of Static, Standard Pulse, Slow Pulse, Fast Pulse, Triple Flash, Random Flash, Strobe - 1 pulse per second (1Hz) and Revolving (Simulated Rotating).

	PSD/DC/12/LED	PSD/DC/24/LED	PSD/UC/115-230/LED
Supply Voltage	12Vdc	24Vdc	115-230Vuc
Minimum Supply Voltage	10.2Vdc	20.4Vdc	97Vuc
Maximum Supply Voltage	13.8Vdc	27.6Vdc	265Vuc
Average Current Draw	110mA@12Vdc	35mA@24Vdc	32mA@230Vac
Peak Operating Current	250mA@13.8Vdc	83mA@27.6V	490mA@97Vac
Nominal power consumption	1.27W	0.83W	2.3W
Factory-set Flash Rate	120fpm 2Hz		
Number of functions / patterns	8		
Luminous Intensity	Red	9Cd	
	Amber	16Cd	
	Green	14Cd	
	Blue	7Cd	
	Clear	17Cd	
Angle of max rated brilliance	0 Degrees vertical		
Recommended fuse rating	external - 500mA TD		
IEC protection class	IP65		
Operating Temperature Range	-20 to +55 Degrees C		
Net Product Weight	211g		