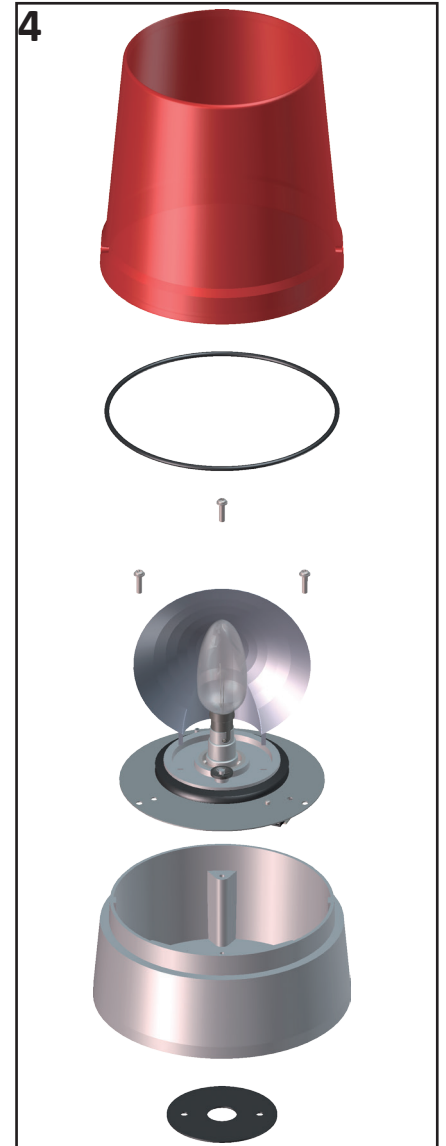
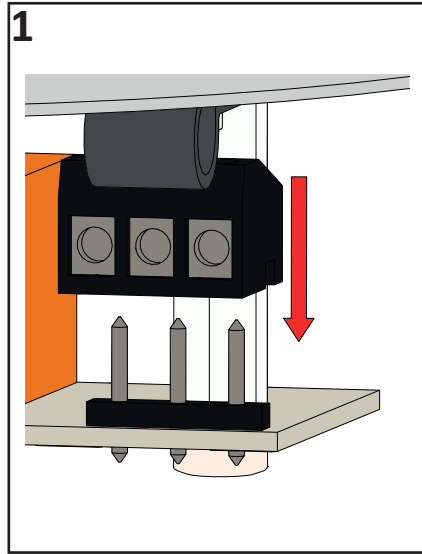
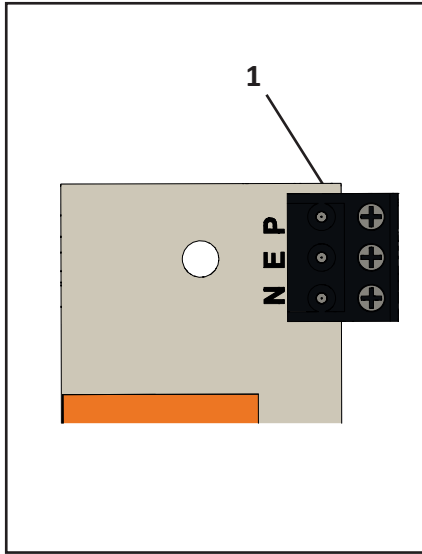



# RFH/B15d Rotating Mirror Beacon



**2**

	-ve (0V)		+ve (12Vac/dc)
RFH/UC/12/B15D	-ve (0V)		+ve (12Vac/dc)
RFH/UC/24/B15D	-ve (0V)		+ve (24Vac/dc)
RFH/AC/115/B15D	N	E	P (115Vac)
RFH/AC/230/B15D	N	E	P (230Vac)

**3**



12V 48W	RFH/UC/12
24V 48W	RFH/DC/24
115V 60W	RFH/AC/115
230V 60W	RFH/AC/230

