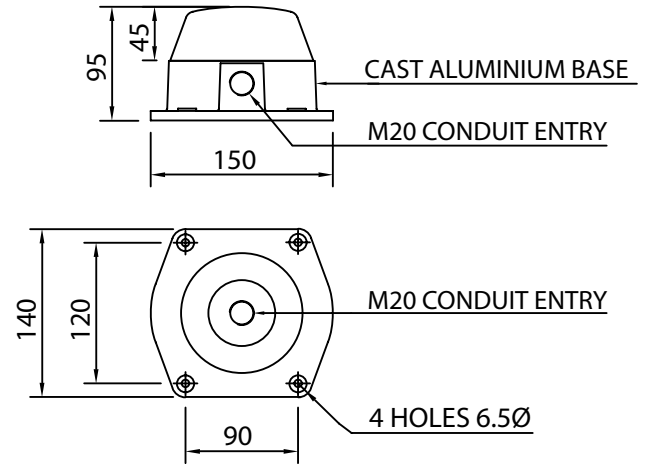


LED Beacons Series S



PSS Low-power warning beacon with single-flash, triple-flash, five-flash and static operating modes. Internal DIP switch to select operating mode:

Mode	Ref	Description
Static	Static	Beacon operates continuously without flashing
Single Flash	SH	Flash-Pause
Triple Flash	TH	Flash-Flash-Flash-Pause
Quintuple Flash	QH	Flash-Flash-Flash-Flash-Flash-Pause

Comprising a Heavy-duty Aluminium Base, and a Polycarbonate lens. Circuitry is fixed to the base assembly, with convenient access to the terminal block for wiring, allowing easy fitting of bases and wiring during installation.

		PSS/DC/12-55/LED	PSS/UC/115-230/LED
Supply Voltage		12-55Vdc	115-230Vuc (ac or dc)
Minimum Supply Voltage		10Vdc	97Vuc
Maximum Supply Voltage		55Vdc	265Vuc
Average Current Draw (Static/SH/TH/QH)		89 / 49 / 33 / 30 mA (@24Vdc)	23 / 17 / 12 / 11 mA (@230Vac)
Peak Operating Current (Static/SH/TH/QH)		89 / 112 / 110 / 107 mA(@24Vdc)	182 / 194 / 168 / 182 mA (@230Vac)
Nominal power consumption (Static/SH/TH/QH)		2.1 / 1.2 / 0.8 / 0.7 W(@24Vdc)	2.2 / 1.3 / 1.0 / 0.9 W (@230Vac)
Flash Rate	Factory Set	120 fpm (2Hz)	
	Other	0 fps - Static / 6 fps - TH / 5 fps - QH	
Luminous Intensity	Red (Static/SH/TH/QH)	52 / 28 / 19 / 23 Cd	
	Amber (Static/SH/TH/QH)	96 / 51 / 35 / 42 Cd	
	Green (Static/SH/TH/QH)	46 / 24 / 17 / 20 Cd	
	Blue (Static/SH/TH/QH)	33 / 18 / 12 / 14 Cd	
	Clear (Static/SH/TH/QH)	49 / 24 / 17 / 20 Cd	
Angle of max rated brilliance		On axis with front face	
Recommended fuse rating		External - 500mA TD	
IEC protection class		IP65	
Operating Temperature Range		-40 to +55 Degrees C	
Net Product Weight		1.00kg	1.01kg

D.G. Controls Limited, Cadley Hill Road, Swadlincote, Derbyshire, UK, DE11 9TB
Tel: +44 1283 550850 Fax: +44 1283 550776 e-mail: mail@beaconlamps.com

PSS/LED Pulsed/Static LED Beacons/24.10.2012