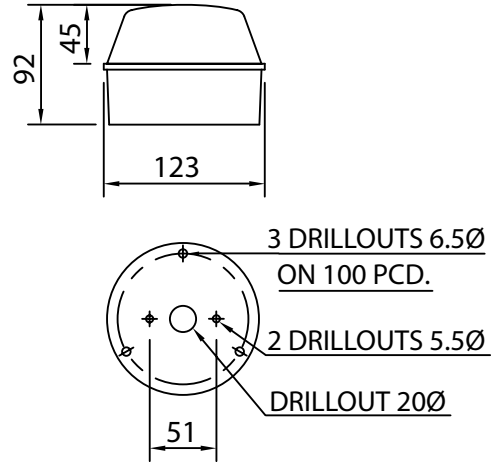


# LED Beacons Series R



PSR Low-power warning beacon with single-flash, triple-flash, five-flash and static operating modes. Internal DIP switch to select operating mode:

Mode	Ref	Description
Static	Static	Beacon operates continuously without flashing
Single Flash	SH	Flash-Pause
Triple Flash	TH	Flash-Flash-Flash-Pause
Quintuple Flash	QH	Flash-Flash-Flash-Flash-Flash-Pause

Comprising a robust White ABS Base, and a Polycarbonate lens. Circuitry is fixed to the base assembly, with convenient access to the terminal block for wiring, allowing easy fitting of bases and wiring during installation.

	PSR/DC/12-55/LED	PSR/UC/115-230/LED
Supply Voltage	12-55Vdc	115-230Vuc (ac or dc)
Minimum Supply Voltage	10Vdc	97Vuc
Maximum Supply Voltage	55Vdc	265Vuc
Average Current Draw (Static/SH/TH/QH)	89 / 49 / 33 / 30 mA (@24Vdc)	23 / 17 / 12 / 11 mA (@230Vac)
Peak Operating Current (Static/SH/TH/QH)	89 / 112 / 110 / 107 mA (@24Vdc)	182 / 194 / 168 / 182 mA (@230Vac)
Nominal power consumption (Static/SH/TH/QH)	2.1 / 1.2 / 0.8 / 0.7 W (@24Vdc)	2.2 / 1.3 / 1.0 / 0.9 W (@230Vac)
Flash Rate	Factory Set	120 fpm (2Hz)
	Other	0 fps - Static / 6 fps - TH / 5 fps - QH
Luminous Intensity	Red (Static/SH/TH/QH)	52 / 28 / 19 / 23 Cd
	Amber (Static/SH/TH/QH)	96 / 51 / 35 / 42 Cd
	Green (Static/SH/TH/QH)	46 / 24 / 17 / 20 Cd
	Blue (Static/SH/TH/QH)	33 / 18 / 12 / 14 Cd
	Clear (Static/SH/TH/QH)	49 / 24 / 17 / 20 Cd
Angle of max rated brilliance		On axis with front face
Recommended fuse rating		External - 500mA TD
IEC protection class		IP65
Operating Temperature Range		-40 to +55 Degrees C
Net Product Weight	242g	250g