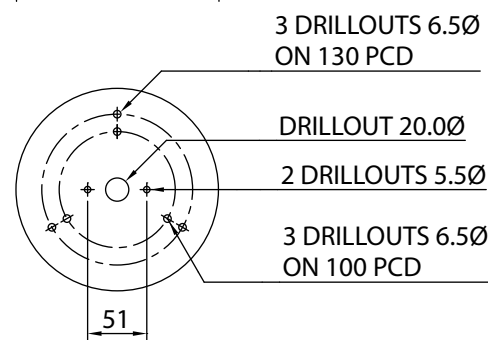
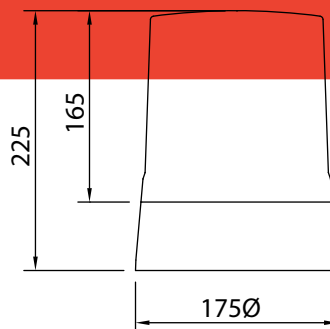




# LED Beacons Series H



Multi-function Rotating/Pulsed/Static LED Beacon with 8 operating modes. Comprising a robust White (standard) or Black (option) ABS Base, and a Polycarbonate lens.

Circuitry sits on three internal fixings, with convenient access to the terminal block for wiring. Lenses are fitted to the bases by two stainless steel screws and an O-ring seal.

Supplied as a complete boxed beacon (Base assembly and Coloured dome lens).

Operating mode is easily configured at installation with a choice of Static, Standard-Pulse, Slow-Pulse, Fast-Pulse, Triple-Flash, Random-Flash, Strobe - 1 pulse per second (1Hz) and Revolving (Simulated Rotating).

|                               | PSH/DC/12/LED        | PSH/DC/24/LED | PSH/UC/115-230/LED  |           |
|-------------------------------|----------------------|---------------|---|-----------|
| Supply Voltage                | 12Vdc                | 24Vdc         | 115Vac  | 230Vac    |
| Minimum Supply Voltage        | 10.2Vdc              | 20.4Vdc       | 97Vuc   |           |
| Maximum Supply Voltage        | 13.8Vdc              | 27.6Vdc       | 265Vuc  |           |
| Average Current Draw          | 453mA@12V            | 151mA@24Vdc   | 102mA@115V  | 63mA@230V |
| Peak Operating Current        | 1.54A@13.8Vdc        | 671mA@27.6Vdc | 1.06mA@97V  |           |
| Nominal power consumption     | 5.4W                 | 3.6W          | 4.7W  | 5.2W      |
| Flash Rate                    | Factory-set          |               | 120fpm 2Hz  |           |
|                               | Other                |               | Static, Slow-Pulse, Triple-Flash, Strobe, Fast-Pulse, Random-Flash, Revolving |           |
| Luminous Intensity            | Red                  | 55Cd          |   |           |
|                               | Amber                | 76Cd          |   |           |
|                               | Green                | 58Cd          |   |           |
|                               | Blue                 | 27Cd          |   |           |
|                               | Clear                | 90Cd          |   |           |
| Angle of max rated brilliance | 0 Degrees vertical   |               |   |           |
| Recommended fuse rating       | Internal - T1A       |               |   |           |
| IEC protection class          | IP65                 |               |   |           |
| Operating Temperature Range   | -20 to +55 Degrees C |               |   |           |
| Net Product Weight            | 845g                 |               |   |           |