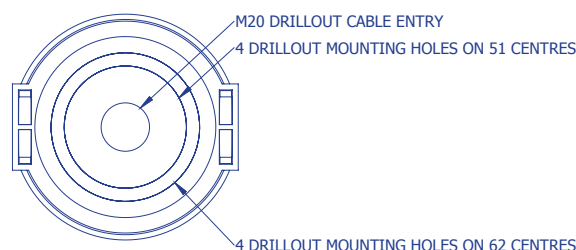
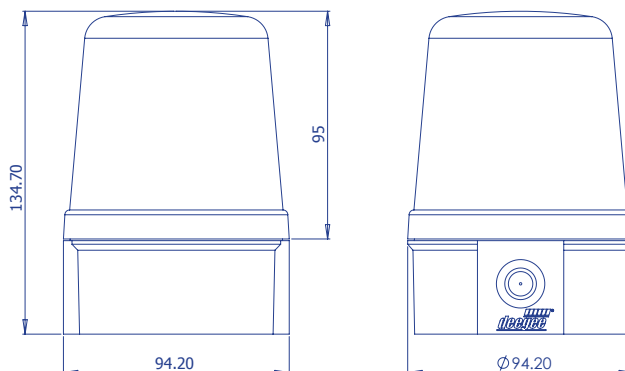




LED Beacons Series B/LED



Series B is an IP66 rated enclosure, pre-moulded with drill-outs for M10 and M20 cable gland entries. The lens fits with a specially designed O-ring and tightens on a bayonet-style fitting, securing with an anti-tamper screw into a blind hole.

Operating mode is easily configured at installation with a choice of:

Static
Slow Pulse
Triple Flash
Strobe - 1 pulse per second (1Hz)

Standard Pulse
Fast Pulse
Quintuple (5) Flash
Revolving (Simulated Rotating).

	PSB/DC/12/LED	PSB/DC/24/LED	PSB/UC/115-230/LED
Supply Voltage	12Vdc	24Vdc	115-230Vuc
Minimum Supply Voltage	10.2Vdc	20.4Vdc	97Vuc
Maximum Supply Voltage	13.8Vdc	27.6Vdc	265Vuc
Average Current Draw	110mA@12Vdc	35mA@24Vdc	32mA@230Vac
Peak Operating Current	250mA@13.8Vdc	83mA@27.6V	490mA@97Vac
Nominal power consumption	1.27W	0.83W	2.3W
Factory-set Flash Rate		120fpm 2Hz	
Number of functions / patterns		8	
Luminous Intensity	Red	9Cd	
	Amber	16Cd	
	Green	14Cd	
	Blue	7Cd	
	Clear	17Cd	
Angle of max rated brilliance		0 Degrees vertical	
Recommended fuse rating		external - 500mA TD	
IEC protection class		IP66	
Operating Temperature Range		-20 to +55 Degrees C	
Net Product Weight		211g	